

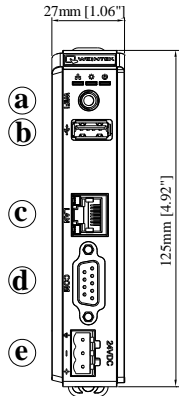


### Feature

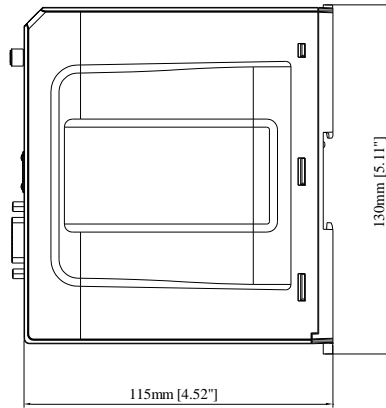
- Supports Display on cMT Viewer clients
- Compact Design and DIN-rail Mountable
- Fan-less Cooling System
- Built-in 256 MB Flash Memory
- SD Card Slot for Expansion of Storage
- One USB Host Port
- One Gigabit Ethernet Ports
- Supports E-mail
- Supports MPI 187.5K
- Built-in Power Isolator
- WiFi compatible with 802.11 b/g/n
- cMT-SVR-202: Built-in EasyAccess 2.0 License
- Wide input voltage range: 10.5~28VDC

<b>Memory</b>	Flash	256 MB
	RAM	256 MB
<b>Processor</b>		32-bit RISC 600MHz
<b>I/O Port</b>	SD Card Slot	SD/SDHC
	USB Host	USB 2.0 x 1
	USB Client	N/A
	Ethernet	10/100/1000 Base-T x 1
	WiFi	IEEE 802.11 b/g/n 802.11b: max 18.01 dBm 802.11g: max 11.02 dBm 802.11n: max 12.20 dBm
	COM Port	COM1: RS-232 2W COM2: RS-485 2W/4W COM3: RS-485 2W
<b>RTC</b>		Built-in
<b>Power</b>	Input Power	10.5~28VDC
	Power Isolation	Built In
	Power Consumption	1000mA@12VDC ; 450mA@24VDC
	Voltage Resistance	500VAC (1 min)
	Isolation Resistance	Exceed 50MΩ at 500VDC
	Vibration Endurance	10 to 25Hz (X, Y, Z direction 2G 30 minutes)
<b>Specification</b>	PCB Coating	Yes
	Enclosure	Plastic
	Dimensions WxHxD	27 x 130 x 115 mm
	Weight	Approx. 0.18 kg
	Mount	35 mm DIN rail mounting
<b>Environment</b>	Protection Structure	IP20
	Storage Temperature	-20° ~ 70°C (-4° ~ 158°F)
	Operating Temperature	-10° ~ 55°C (14° ~ 131°F)
	Relative Humidity	10% ~ 90% (non-condensing)
<b>Certificate</b>	CE	CE marked
	UL	cULus Listed
<b>Software</b>	EasyBuilder Pro	V6.02.02 or later versions
	Weincloud	cMT-SVR-200: EasyAccess 2.0 (Optional) cMT-SVR-202: EasyAccess 2.0 (Built-in)

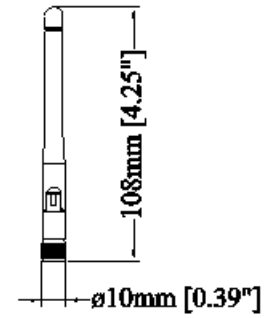
### Dimensions



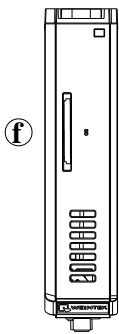
**Front View**



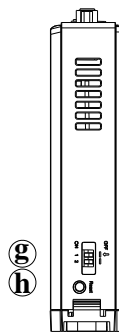
**Side View**



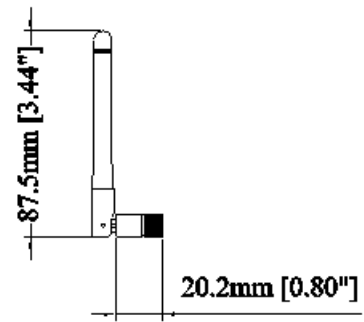
**Antenna**



**Top View**



**Bottom View**



**Pin Assignment:**  
COM1 RS232 2W  
COM2 RS485 2W/4W  
COM3 RS485 2W  
9 Pin, Male, D-sub

PIN#	COM1 [RS-232] 2W	COM2 [RS-485]		COM3 [RS-485] 2W
		2W	4W	
1				Data+
2	RxD			
3	TxD			
4				Data-
5	GND			
6		Data+	Rx+	
7		Data-	Rx-	
8			Tx+	
9			Tx-	

<b>a.</b>	WiFi
<b>b.</b>	USB Host Port
<b>c.</b>	Ethernet Port
<b>d.</b>	COM1: RS-232 2W, COM2: RS-485 2W/4W, COM3: RS-485 2W
<b>e.</b>	Power Connector
<b>f.</b>	SD Card Slot
<b>g.</b>	DIP Switch
<b>h.</b>	Reset Button

### Ordering Information

<input type="checkbox"/> <b>cMT-SVR-200:</b>	<input type="checkbox"/> <b>cMT-SVR-202:</b>
256 MB flash memory	256 MB flash memory
256 MB RAM on board	256 MB RAM on board
10/100/1000M Ethernet port x 1	10/100/1000M Ethernet port x 1
Antenna 2dBi, RP-SMA Plug connector	Antenna 2dBi, RP-SMA Plug connector
Optional: RZACEA020 EasyAccess 2.0 Activation Card	Built-in EasyAccess 2.0 license