

Table of Contents

Table of Contents.....	1
1. Product Overview.....	5
2. Before using the product.....	5
3. Installation Procedure.....	5
4. S100 Flange Option Cutting Area Size	11
5. H100 Flange Option Cutting Area Size	14
6. S100 Product Size (Drive with Flange Option).....	16
7. H100 Product Size (Drive with Flange Option).....	30
8. Revision History.....	36

Thank you for purchasing LS Variable Frequency Drives!

SAFETY INSTRUCTIONS

To prevent injury and property damage, follow these instructions. Incorrect operation due to ignoring instructions will cause harm or damage. The seriousness of which is indicated by the following symbols.



DANGER

This symbol indicates the instant death or serious injury if you don't follow instructions



WARNING

This symbol indicates the possibility of death or serious injury



CAUTION

This symbol indicates the possibility of injury or damage to property

- The meaning of each symbol in this manual and on your equipment is as follows.



This is the safety alert symbol.

Read and follow instructions carefully to avoid dangerous situation.



This symbol alerts the user to the presence of “dangerous voltage” inside the product that might cause harm or electric shock.

- After reading this manual, keep it in the place that the user always can contact easily.
- This manual should be given to the person who actually uses the products and is responsible for their maintenance.



WARNING

- **Do not remove the cover while power is applied or the unit is in operation.**
Otherwise, electric shock could occur.
- **Do not run the inverter with the front cover removed.**
Otherwise, you may get an electric shock due to high voltage terminals or charged capacitor exposure.
- **Do not remove the cover except for periodic inspections or wiring, even if the input power is not applied.**
Otherwise, you may access the charged circuits and get an electric shock.
- **Wiring and periodic inspections should be performed at least 10 minutes after disconnecting the input power and after checking the DC link voltage is discharged with a meter (below DC 30V).**
Otherwise, you may get an electric shock.
- **Operate the switches with dry hands.**
Otherwise, you may get an electric shock.
- **Do not use the cable when its insulating tube is damaged.**
Otherwise, you may get an electric shock.
- **Do not subject the cables to scratches, excessive stress, heavy loads or pinching.**
Otherwise, you may get an electric shock.



CAUTION

- **Install the inverter on a non-flammable surface. Do not place flammable material nearby.**
Otherwise, fire could occur.
- **Disconnect the input power if the inverter gets damaged.**
Otherwise, it could result in a secondary accident and fire.
- **Do not touch the inverter while the input power is applied or after removed. It will remain hot for a couple of minutes.**
Otherwise, you may get bodily injuries such as skin-burn or damage.
- **Do not apply power to a damaged inverter or to an inverter with parts missing even if the installation is complete.**
Otherwise, electric shock could occur.
- **Do not allow lint, paper, wood chips, dust, metallic chips or other foreign matter into the drive.**
Otherwise, fire or accident could occur.

OPERATING PRECAUTIONS

- **Make sure the assembly to the specified torque, do not over tighten the screw to the specified torque.**
Otherwise, it could result in product damage.

1. Product Overview

This installation guide is applied to the LSLV – S100 / H100 drive series Flange Option..

This option is designed to provide the attachment of heat sink on the outside of panel designed for radiating the heat easier.

2. Before using the product

Perform the following tasks after receiving the flange option.

- ◆ Inspect the flange option for damage.
If the flange option appears damaged upon receipt, contact the shipper immediately.

- ◆ Check the label of model whether it is as same as the model number printed on the package of the flange option.

3. Installation Procedure

- ◆ Flange Option Assembly and Installation Procedure

DANGER! Electrical Shock Hazard : Do not connect or disconnect wiring while the power is on. Failure to comply will result in death or serious injury.

Wiring and periodic inspections should be performed at least 10 minutes after disconnecting the input power

And after checking the DC link voltage is discharged with a meter (below DC 30V)

3.1 S100 0.4~4.0kW

① Insert the Flange Option to fit on the product side Base fastening both sides positions as shown in the

Figure 1.

② Using the included Bolt and tighten with the specific torque to prevent loose.

- M3 torque : 2.1~6.1 (kfg-cm)

③ Fasten the Flange Option with the reminder using included Bolt.

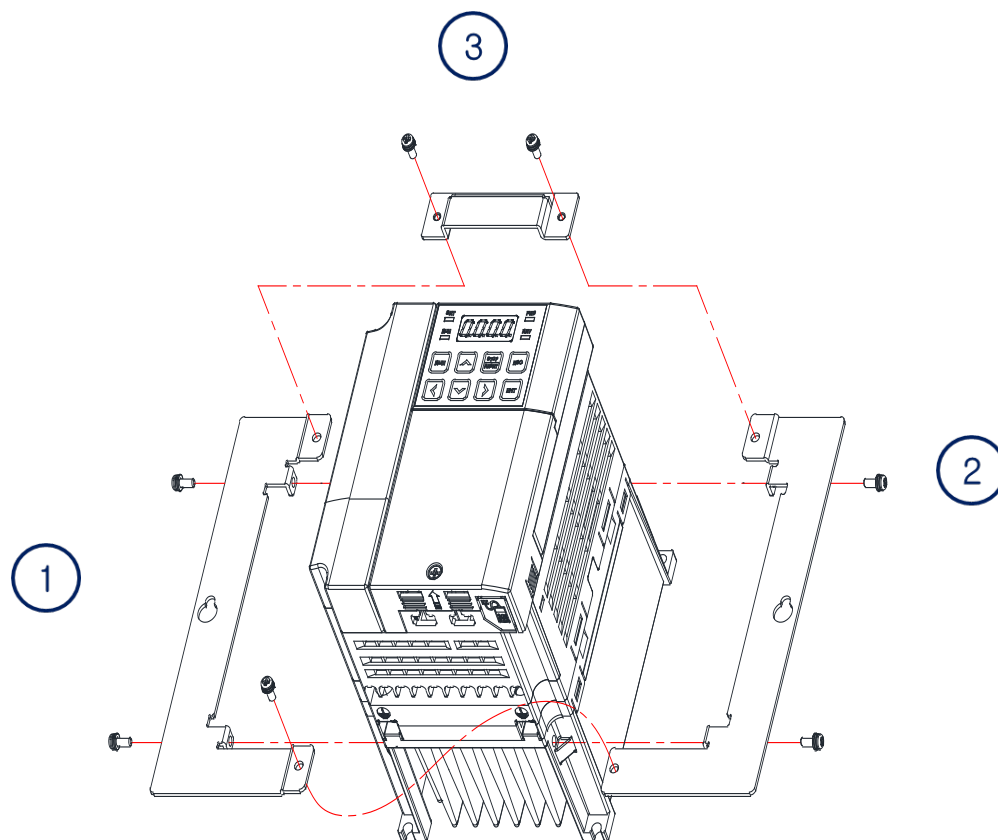


Figure 1. Install and Side Viewing

3.2 S100 5.5~22kW

① Insert the Flange Option to fit on the product side Base fastening the both sides positions as shown in the Figure 2.

② Using the included Bolt and tighten with the specific torque to prevent loose.

- M4 torque : 2.1~6.1 (kfg-cm)

- M5 torque : 4.0~10.2 (kfg-cm)

③ Fasten the Flange Option with the reminder using included Bolt.

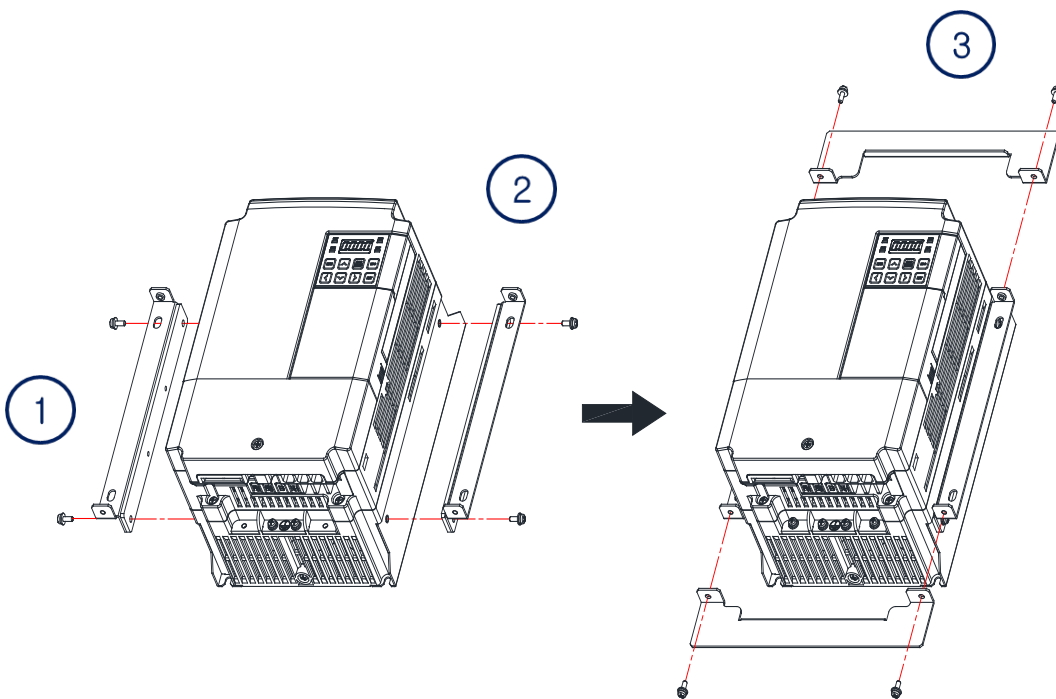


Figure 2. Install and Side Viewing

3.3 S100 30~75kW

① Insert the Flange Option to fit on the product side Base fastening the top/bottom positions as shown in the figure 3.

② Using the included Bolt and tighten with the specified torque to prevent loose.

- M6 torque : 58 (kfg·cm)

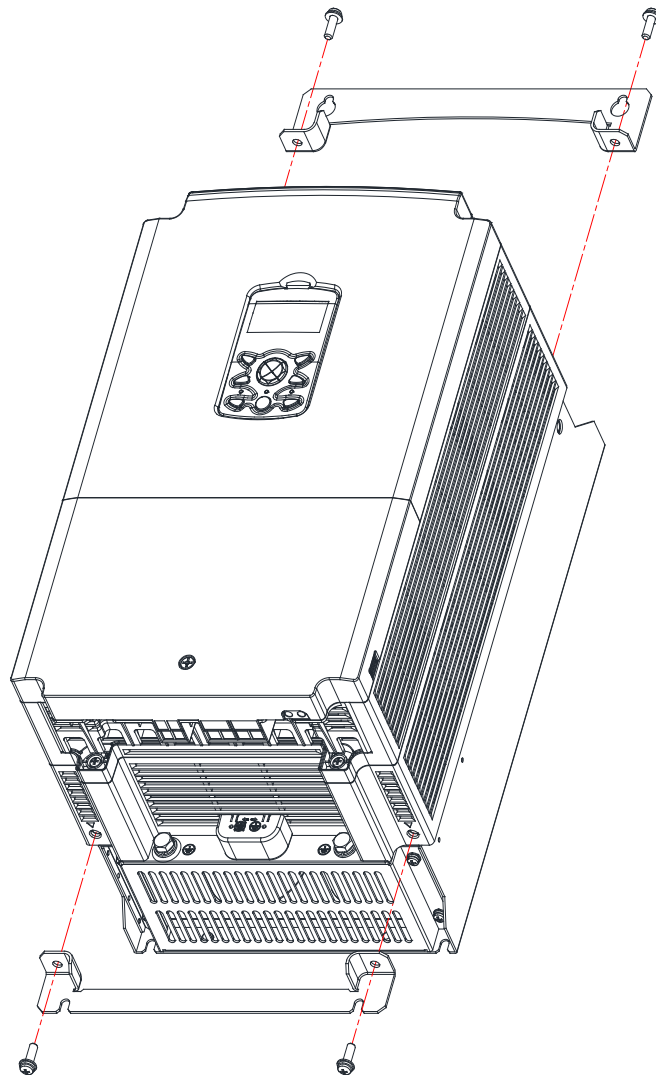


Figure 3. Install and Side Viewing

3.4 H100 0.8~30kW

① Insert the Flange Option to fit on the product side Base fastening both sides positions as shown in the Figure 4.

② Using the included Bolt and tighten with the specific torque to prevent loose.

- M4 torque : 2.1~6.1 (kfg·cm)

- M5 torque : 4.0~10.2 (kfg·cm)

③ Fasten the Flange Option with the reminder using included Bolt.

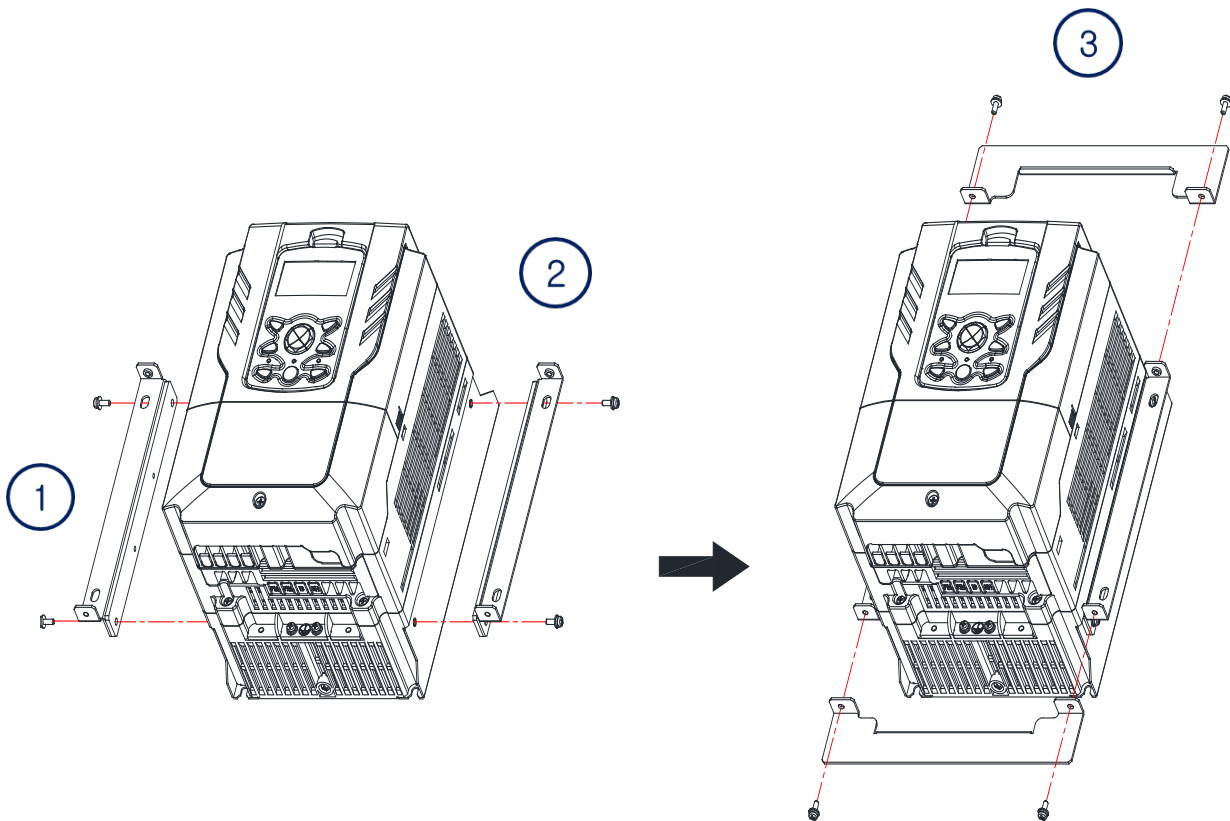


Figure 4. Install and Side Viewing

3.5 H100 37~90kW

① Insert the Flange Option to fit on the product side Base fastening both sides positions as shown in the

Figure 5.

② Using the included Bolt and tighten with the specific torque to prevent loose.

- M6 torque : 58 (kfg·cm)

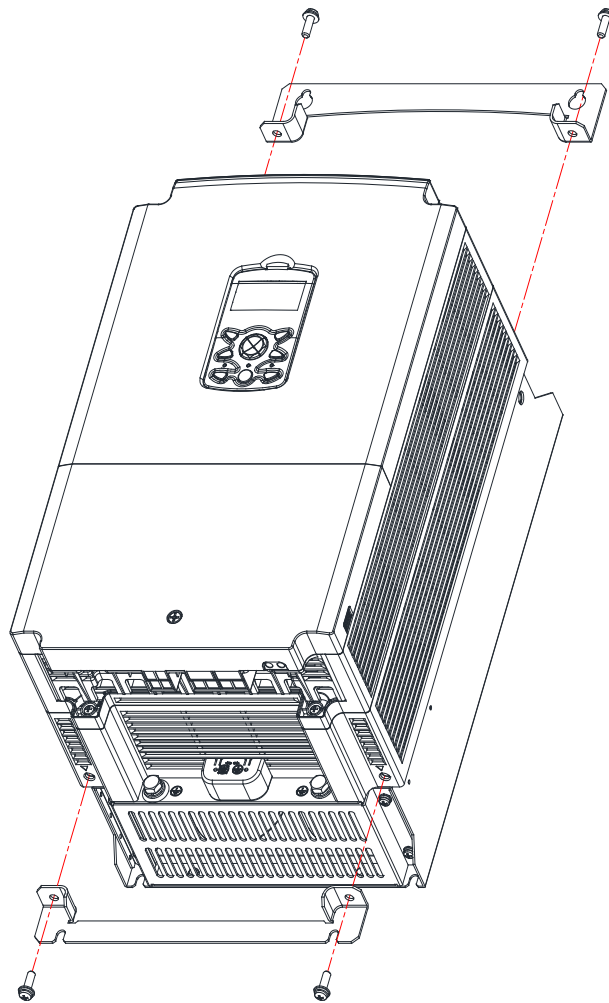


Figure 5. Install and Side Viewing

4. S100 Flange Option Cutting Area Size

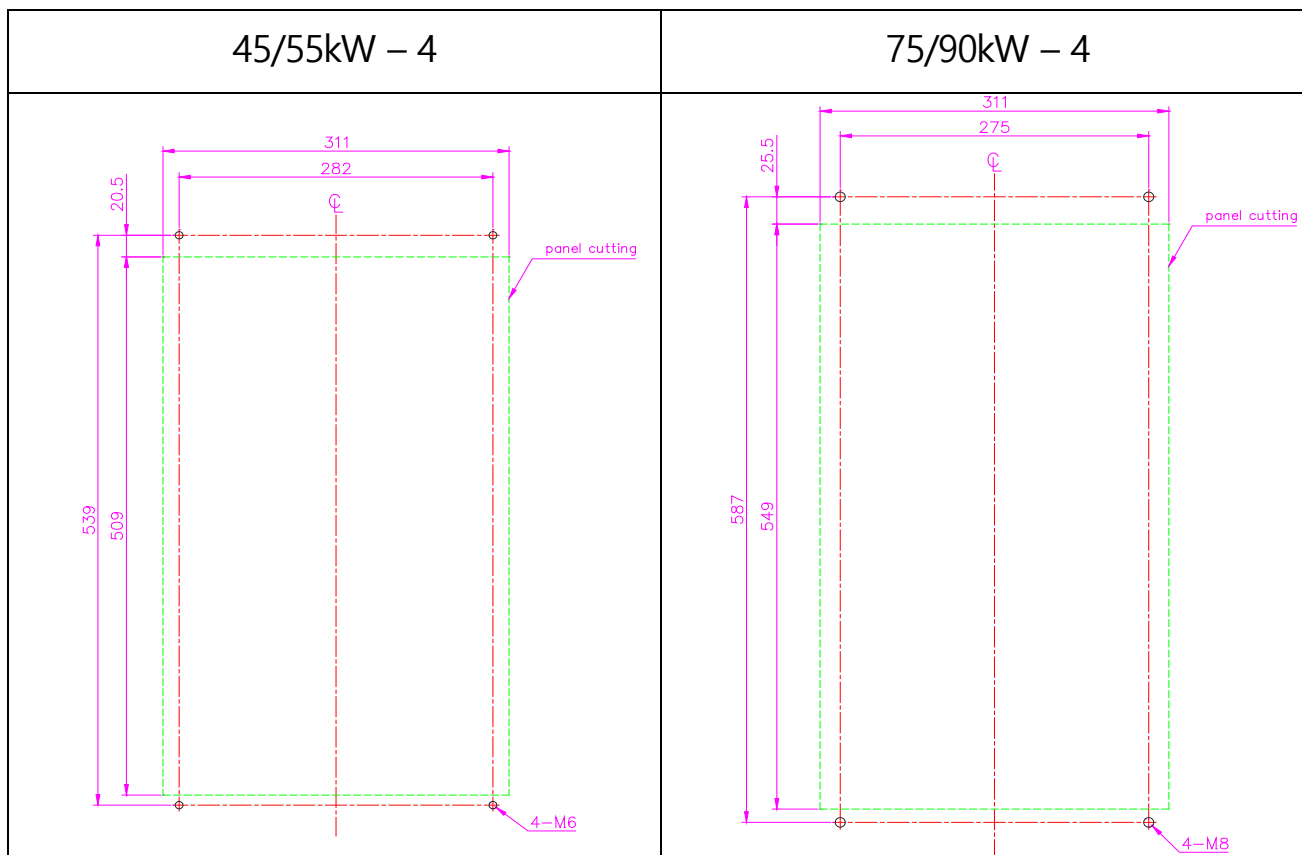
0.4kW – 1 , 0.4/0.8kW – 2/4	0.8/1.5kW – 1 , 1.5/2.2kW – 2/4
2.2kW – 1 , 3.7/4.0kW – 2/4	0.4kW – 1(EMC) , 0.4/0.8kW – 4(EMC)

<p>0.8/1.5kW – 1(EMC) , 1.5/2.2kW – 4(EMC)</p>	<p>2.2kW – 1(EMC) , 3.7/4.0kW – 4(EMC)</p>
<p>5.5/7.5kW – 2/4</p>	<p>11kW – 2/4 , 15kW – 4</p>

<p style="text-align: center;">15kW – 2 , 18.5/22kW – 4</p>	<p style="text-align: center;">30kW – 4</p>
<p style="text-align: center;">37/45kW – 4</p>	<p style="text-align: center;">55/75kW – 4</p>

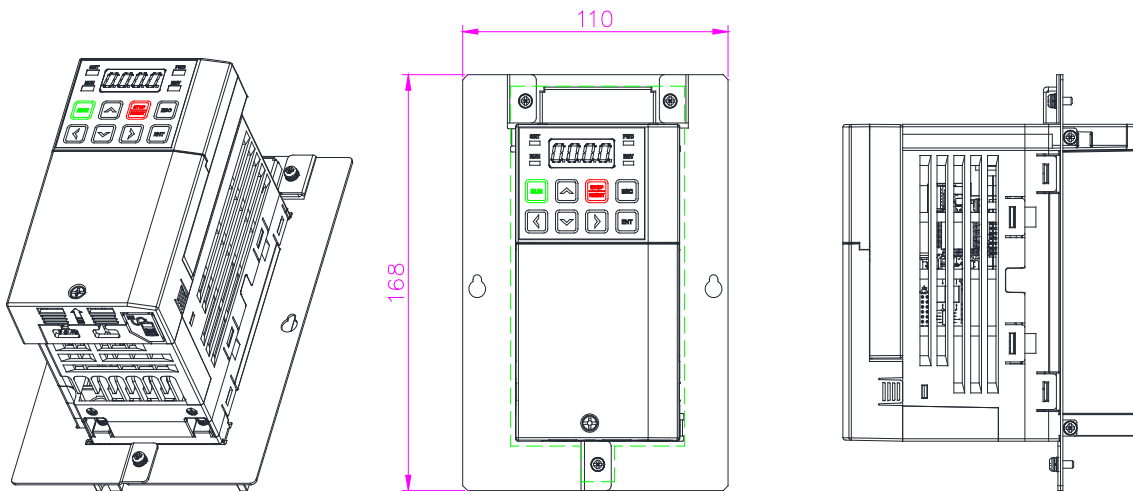
5. H100 Flange Option Cutting Area Size

0.8~11kW – 2/4	15kW – 2/4 , 18.5kW – 4
18.5kW – 2 , 22/30kW – 4	37kW – 4

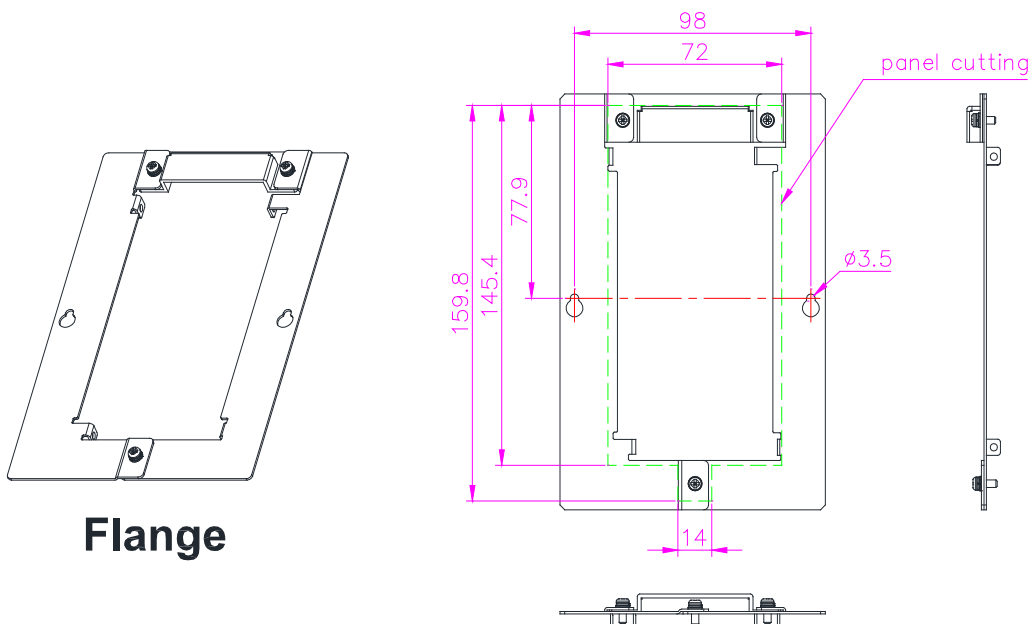
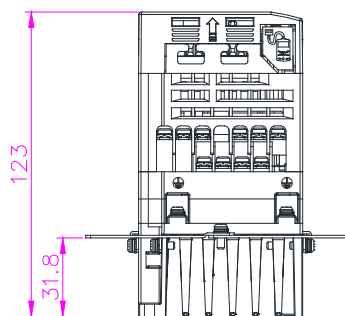


6. S100 Product Size (Drive with Flange Option)

LSLV S100 0.4kW – 2/4

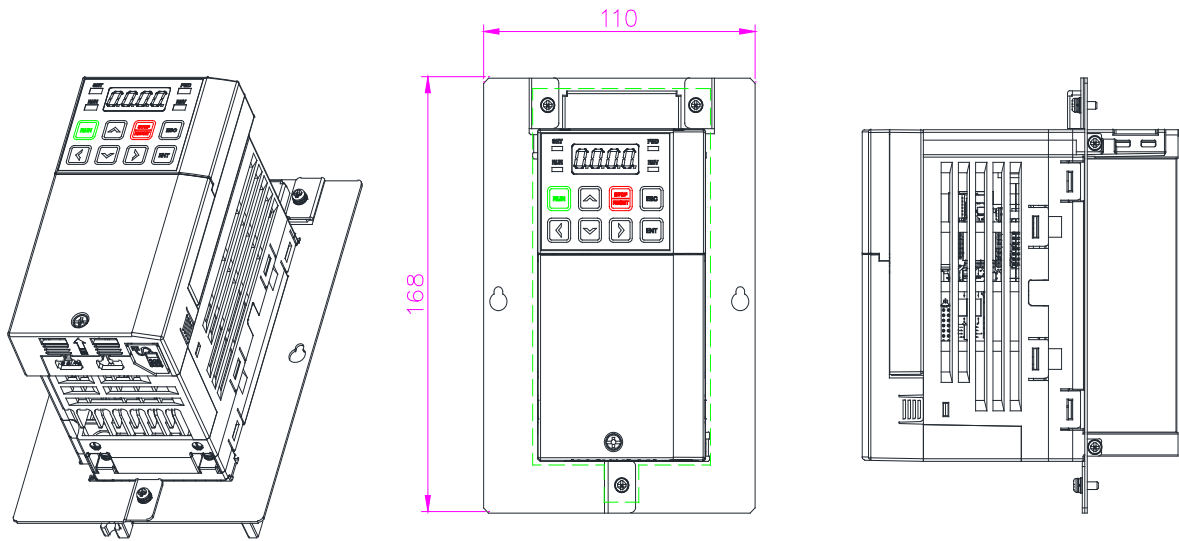


Drive + Flange

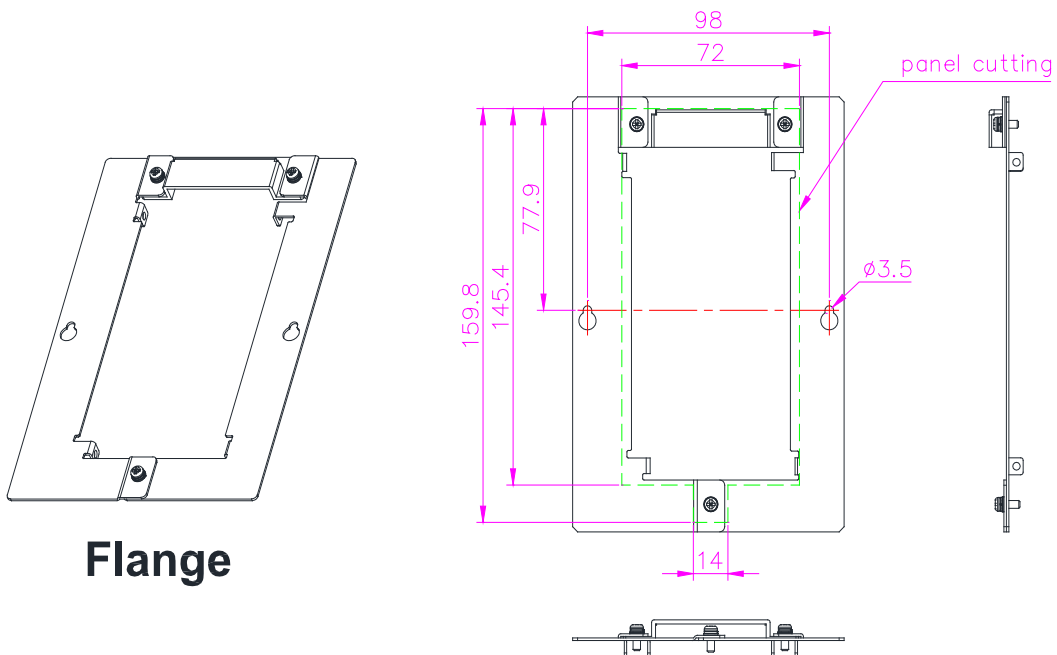
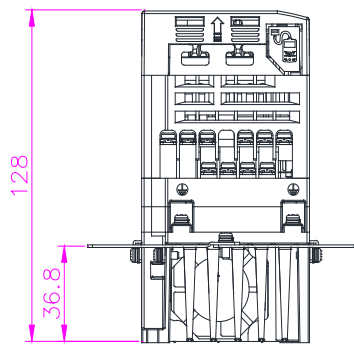


Flange

LSLV S100 0.4kW – 1, 0.8kW – 2/4

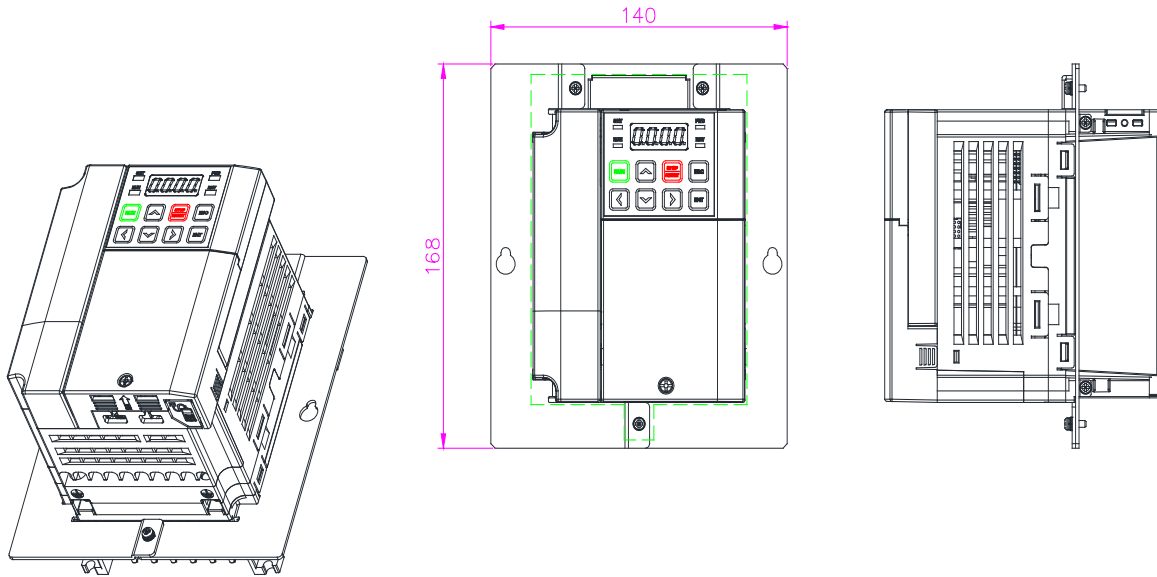


Drive + Flange

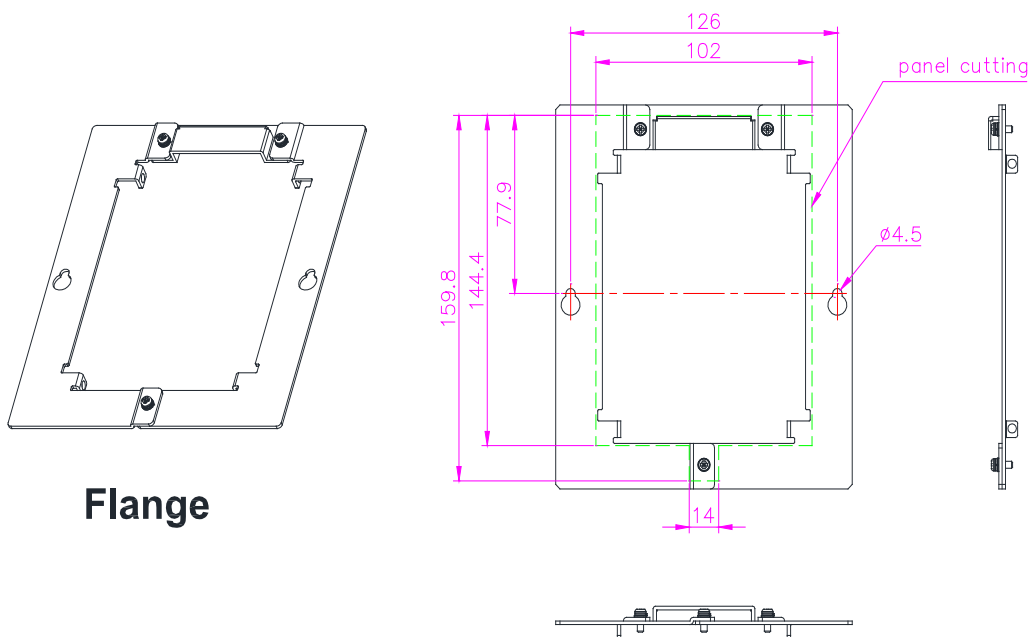


Flange

LSLV S100 0.8kW – 1, 1.5kW – 2/4

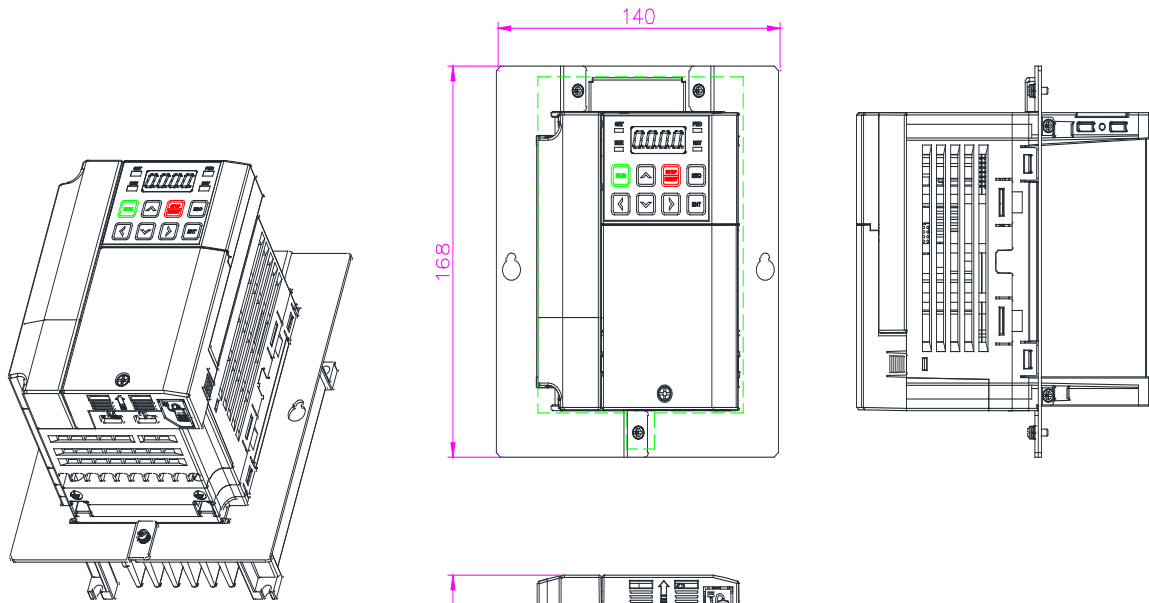


Drive + Flange

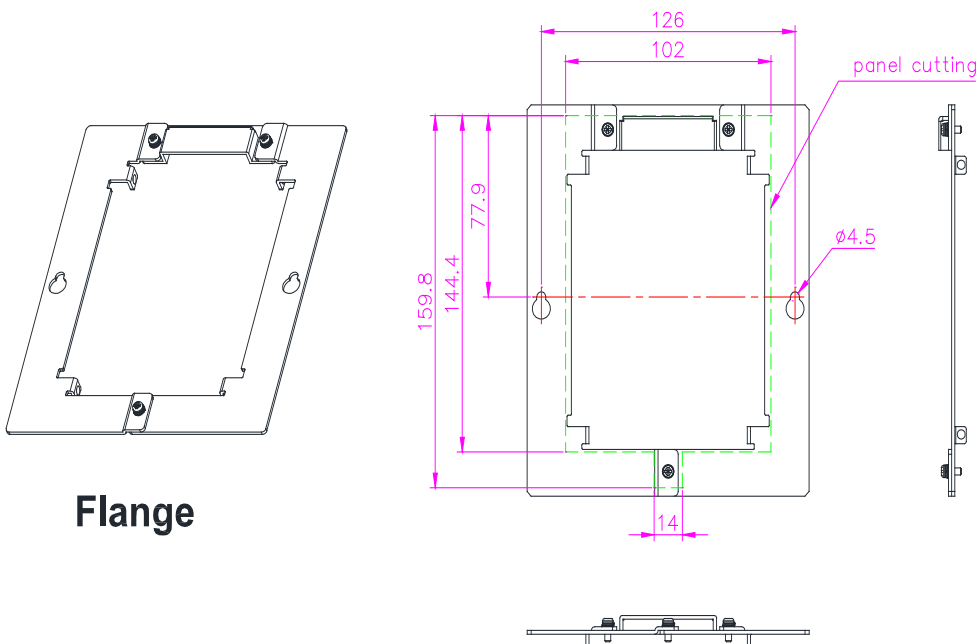


Flange

LSLV S100 1.5kW – 1, 2.2kW – 2/4

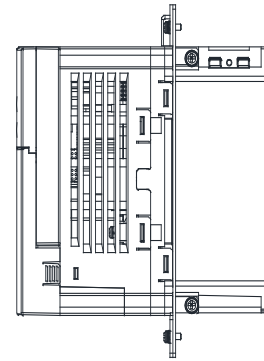
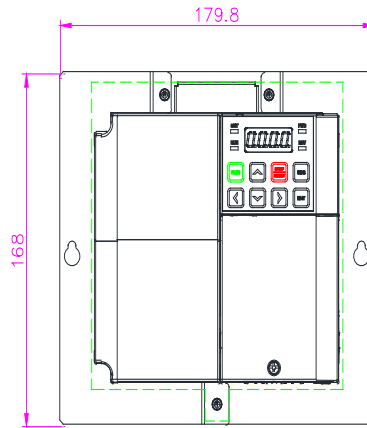
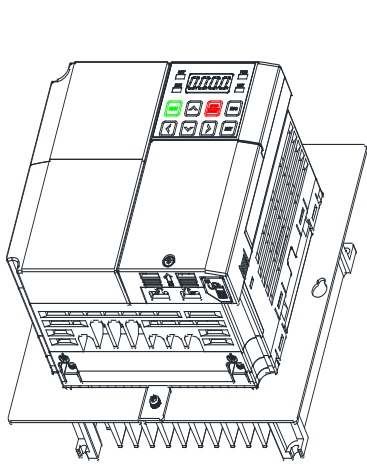


Drive + Flange

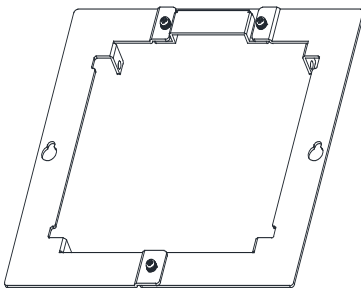
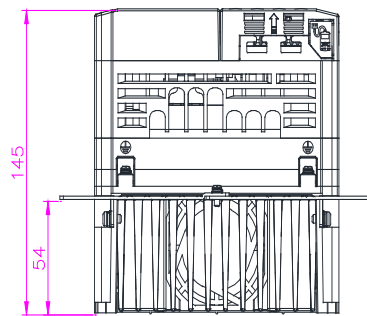


Flange

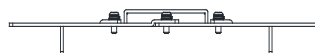
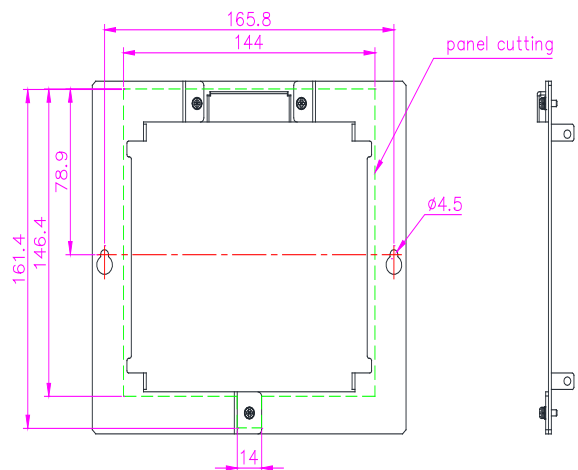
LSLV S100 2.2kW – 1, 3.7kW – 2/4, 4.0kW – 2/4



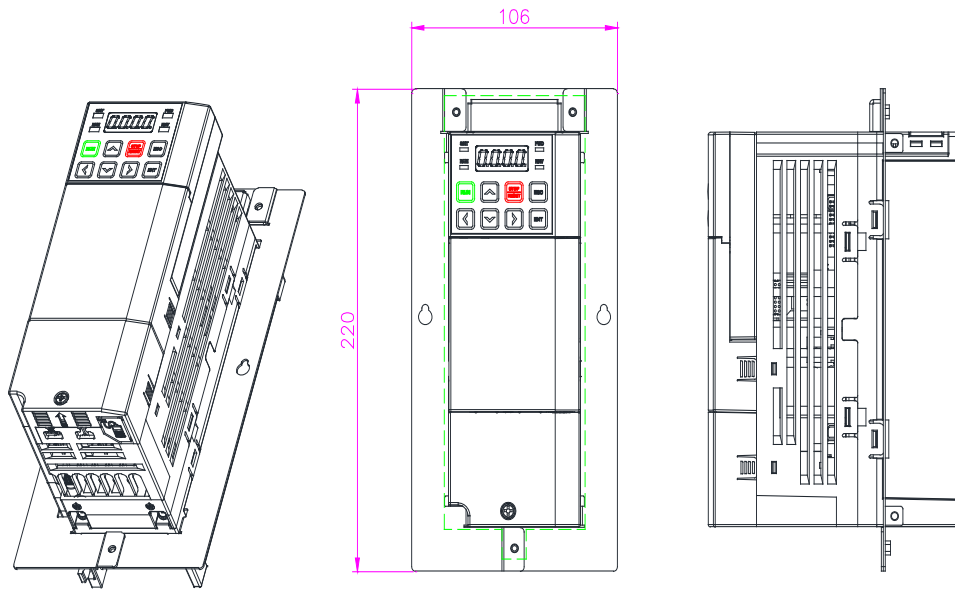
Drive + Flange



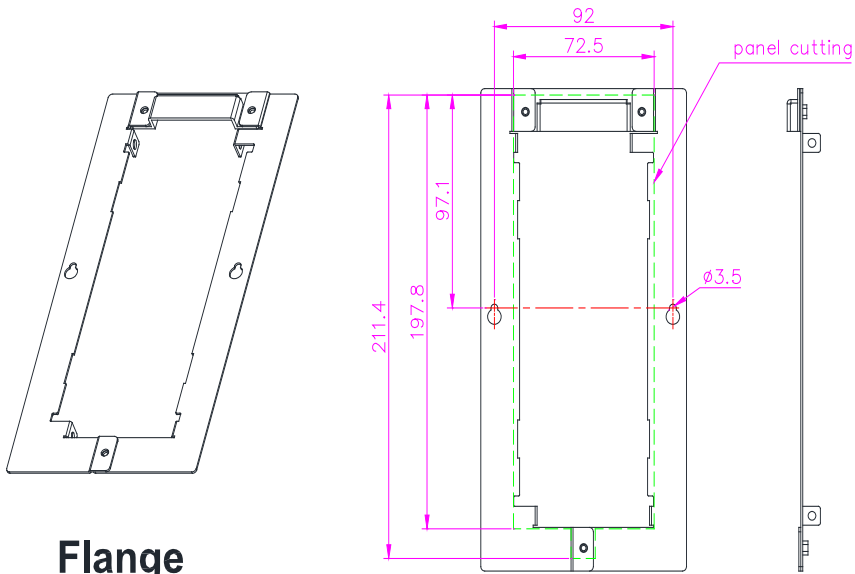
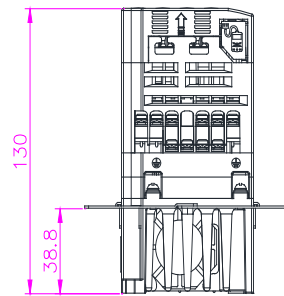
Flange



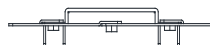
LSLV S100 0.4kW – 1/4(EMC), 0.8kW – 4(EMC)



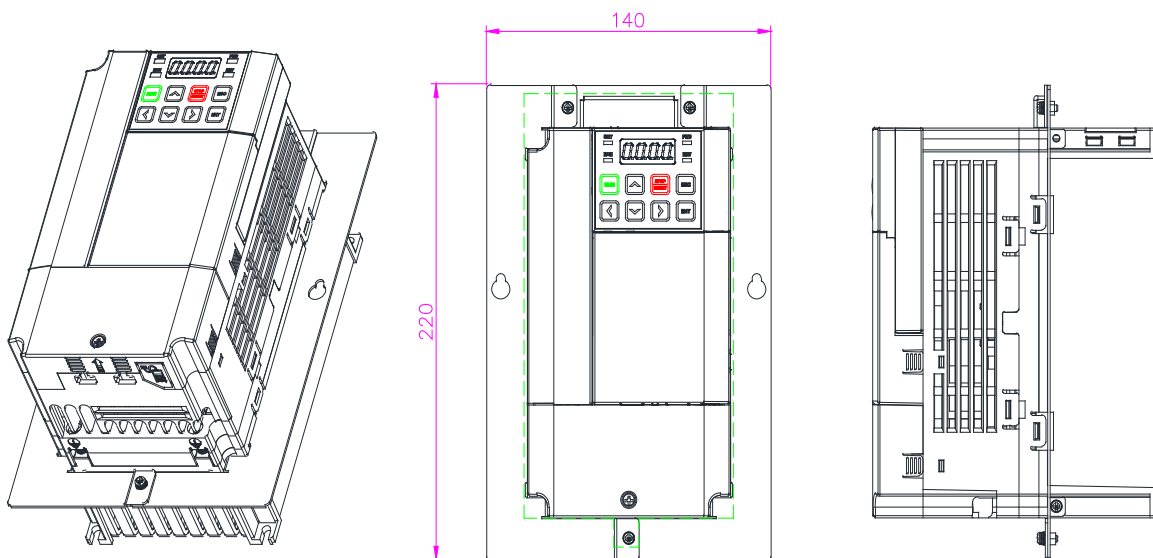
Drive + Flange



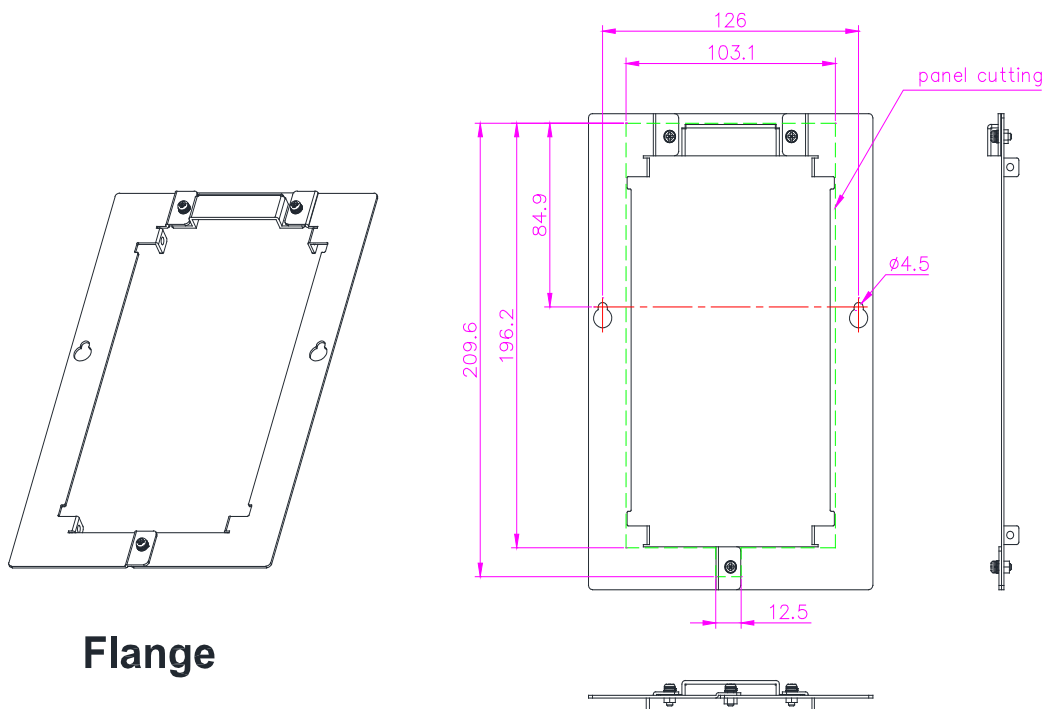
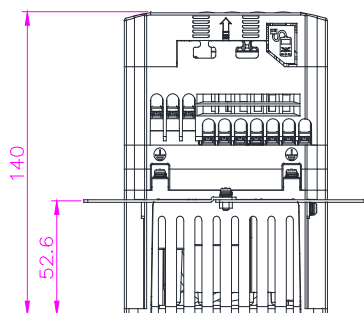
Flange



LSLV S100 0.8kW – 1(EMC), 1.5kW – 1/4(EMC), 2.2kW – 4(EMC)

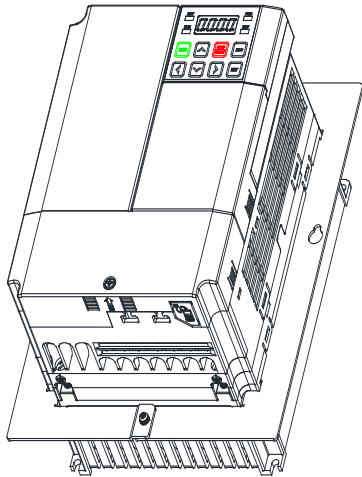


Drive + Flange

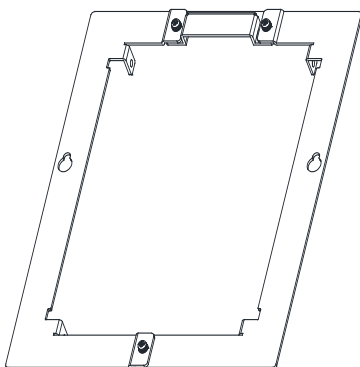
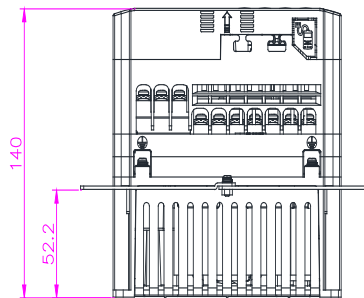
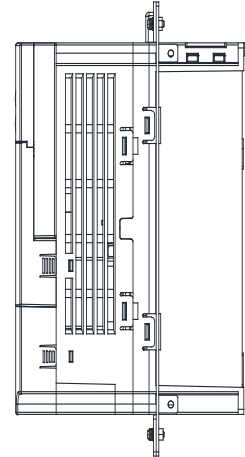
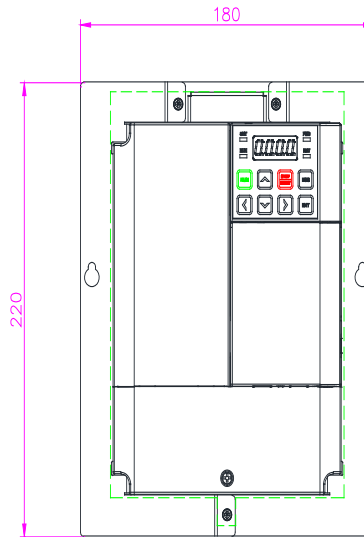


Flange

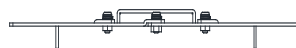
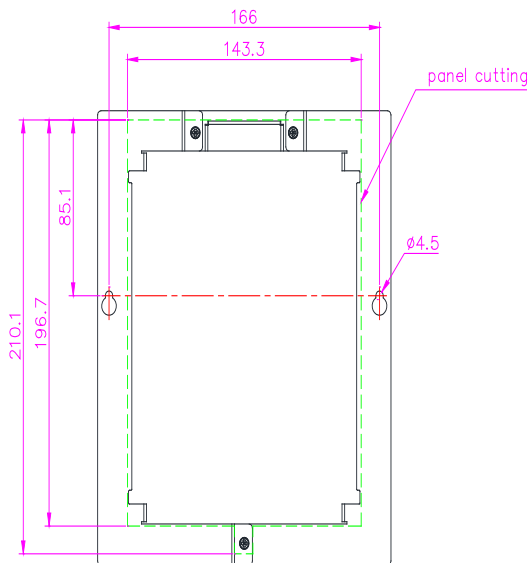
LSLV S100 2.2kW – 1(EMC), 3.7~4.0kW – 4(EMC)



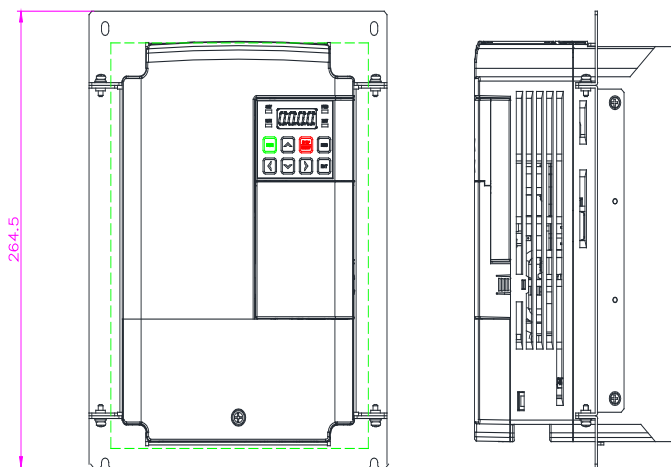
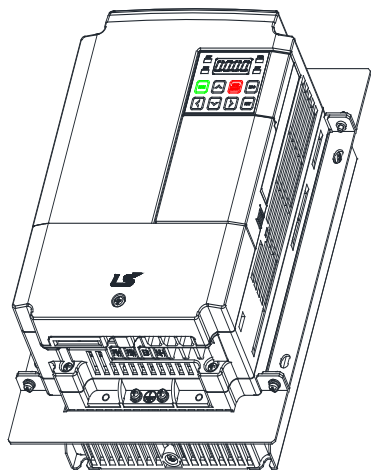
Drive + Flange



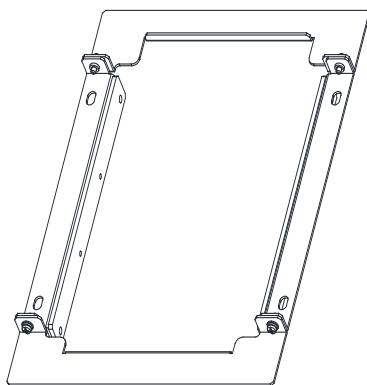
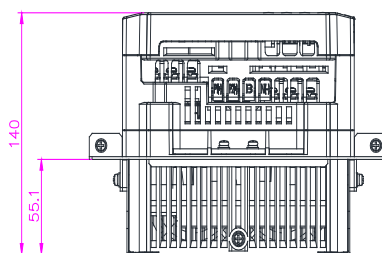
Flange



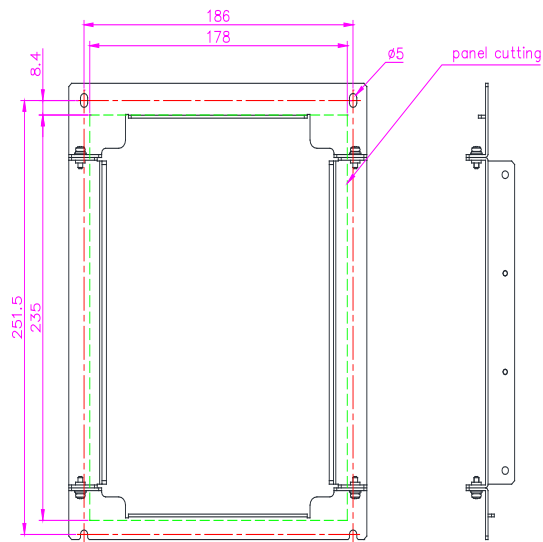
LSLV S100 5.5~7.5kW – 2/4



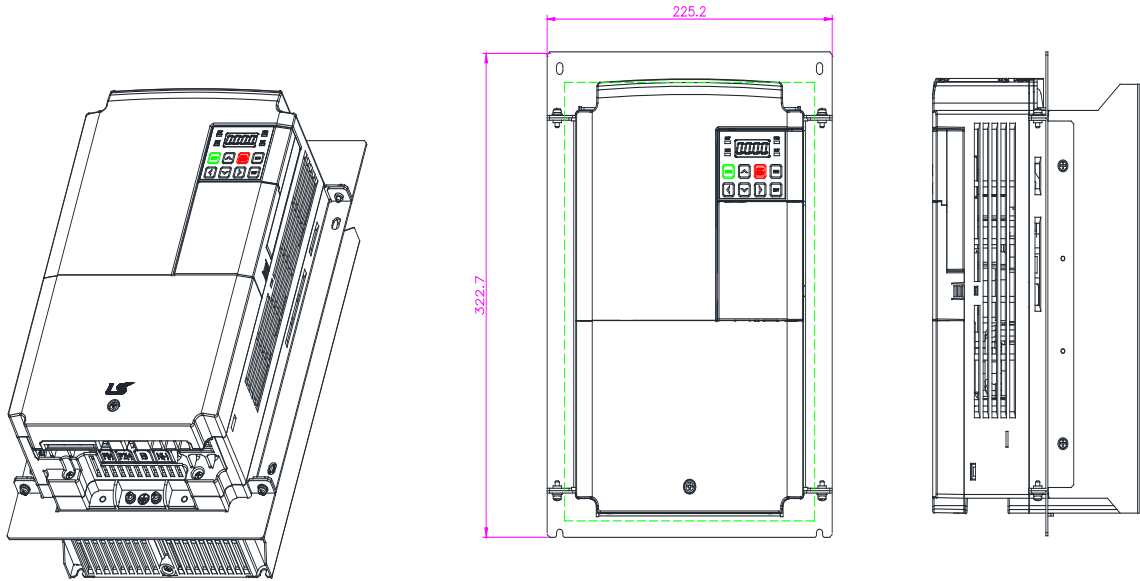
Drive + Flange



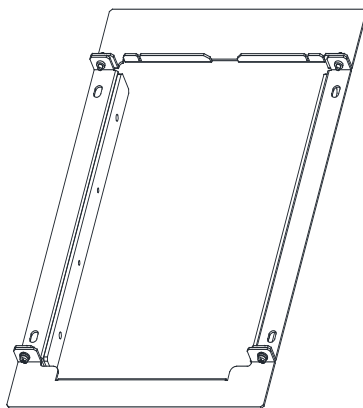
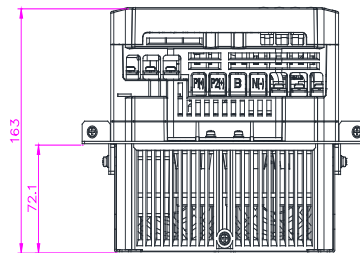
Flange



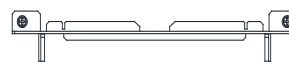
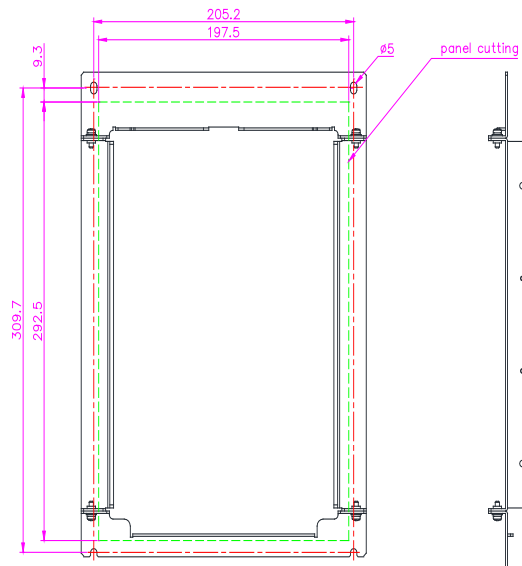
LSLV S100 11kW – 2/4, 15kW – 4



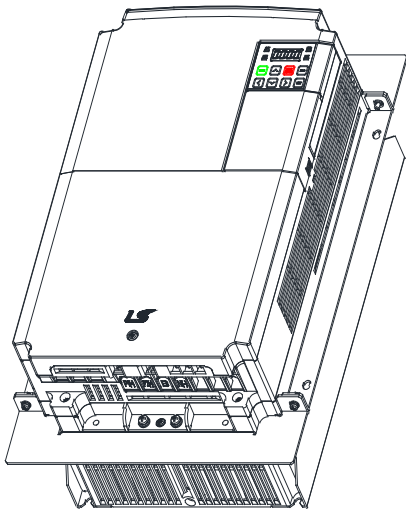
Drive + Flange



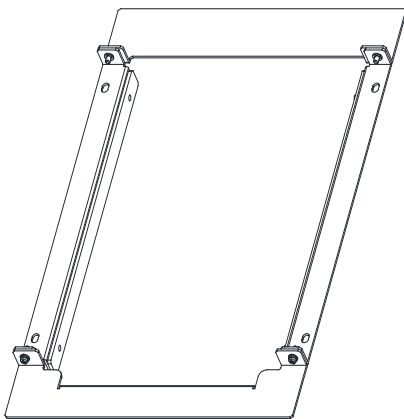
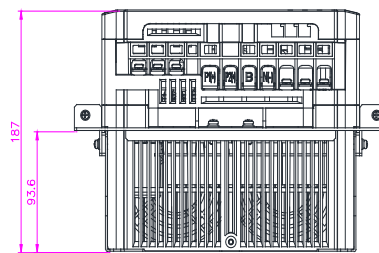
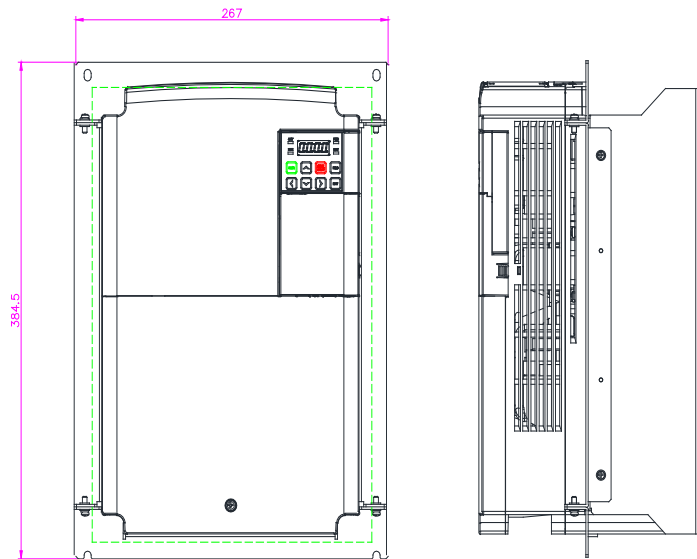
Flange



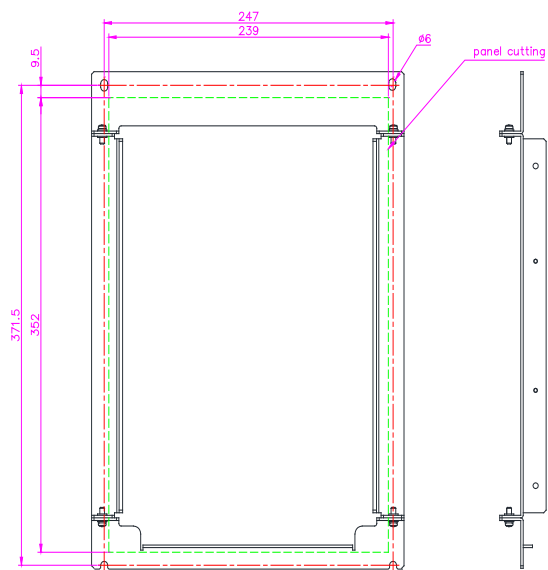
LSLV S100 15kW – 2, 18.5~22kW – 4



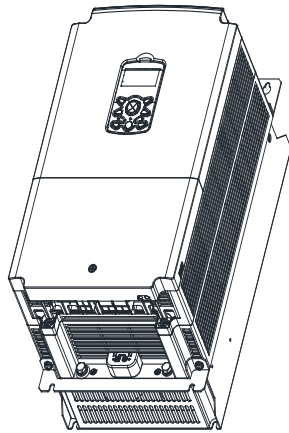
Drive + Flange



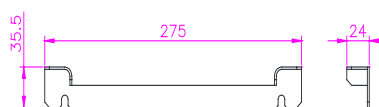
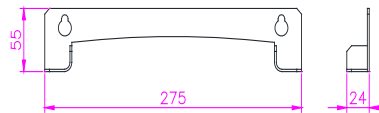
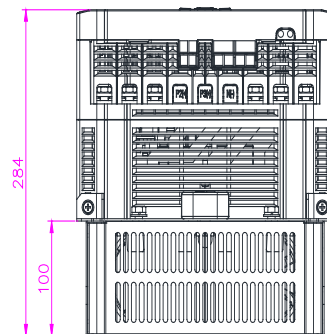
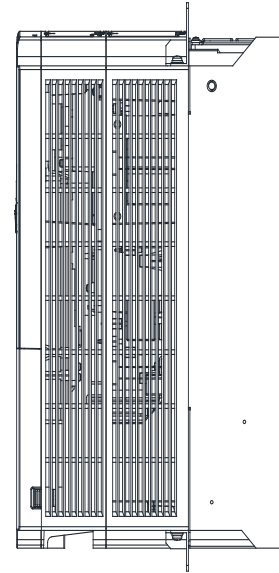
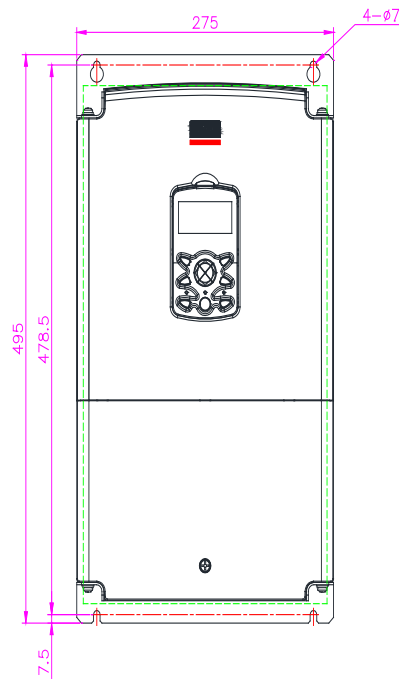
Flange



LSLV S100 30kW – 4

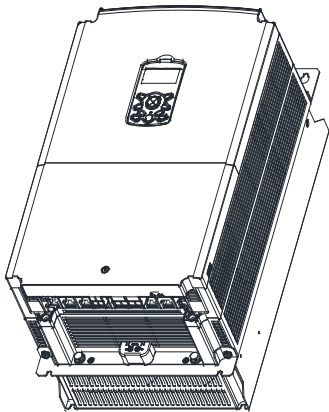


Drive + Flange

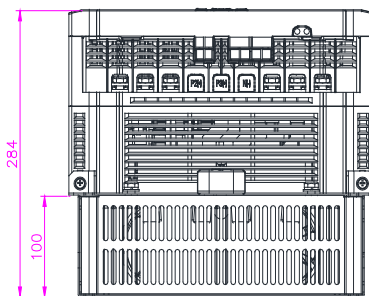
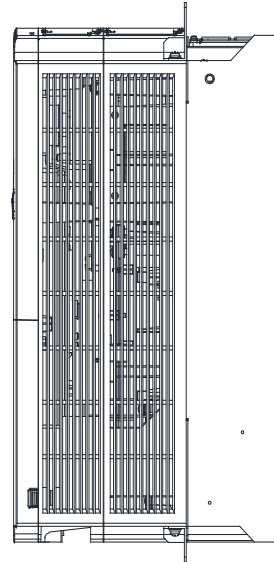
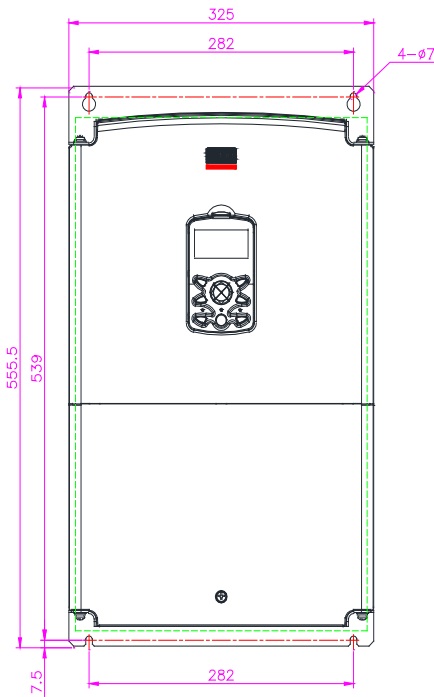


Flange

LSLV S100 37~45kW – 4



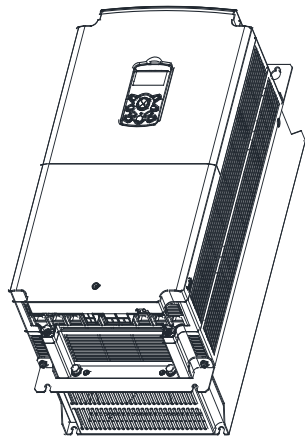
Drive + Flange



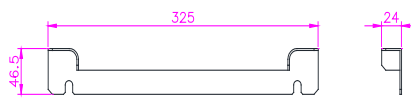
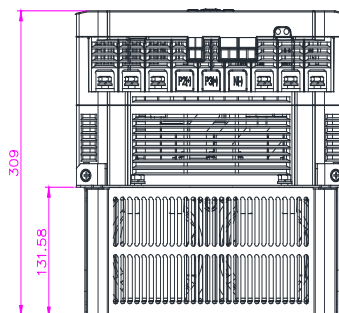
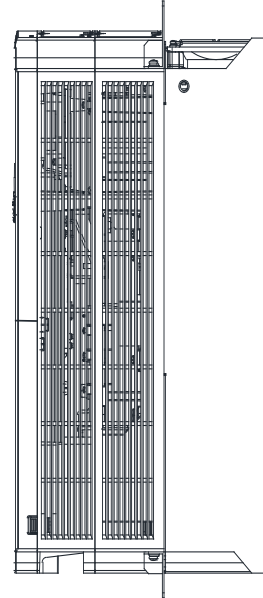
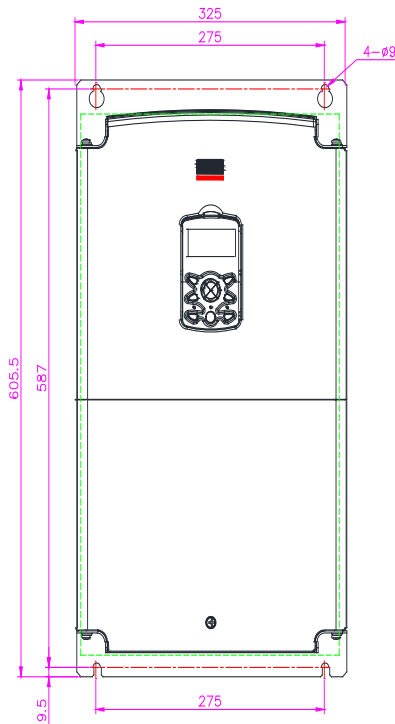
Flange



LSLV S100 55~75kW – 4



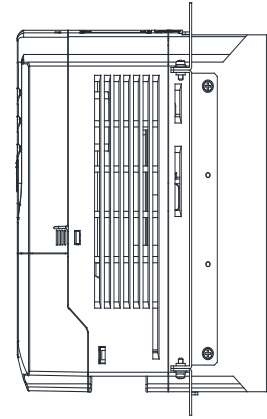
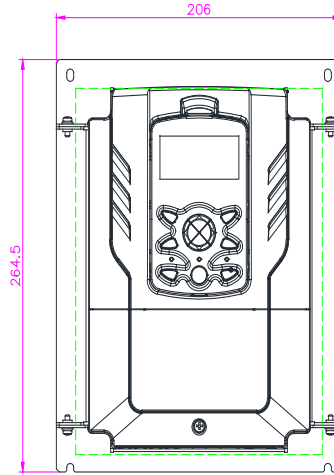
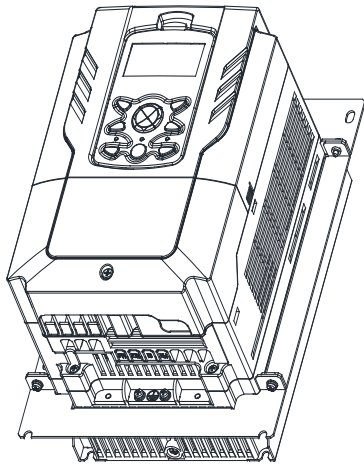
Drive + Flange



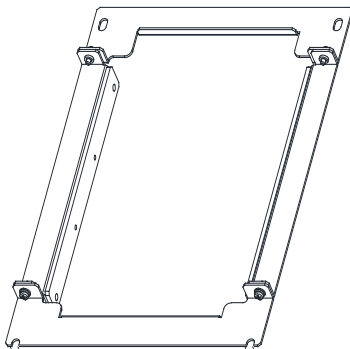
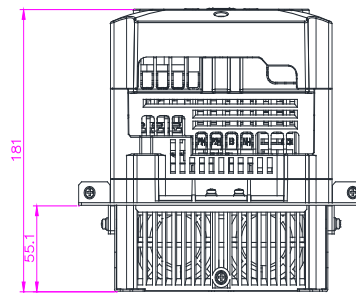
Flange

7. H100 Product Size (Drive with Flange Option)

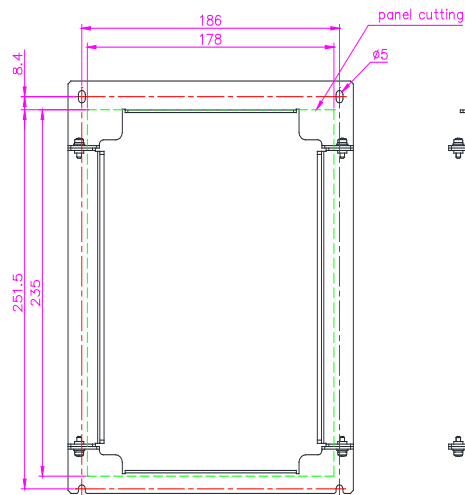
LSLV H100 0.8~11kW – 2/4



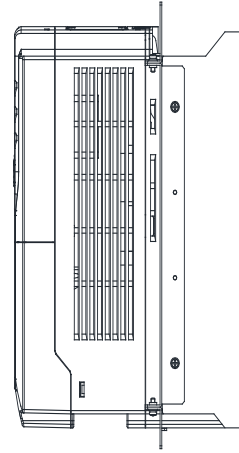
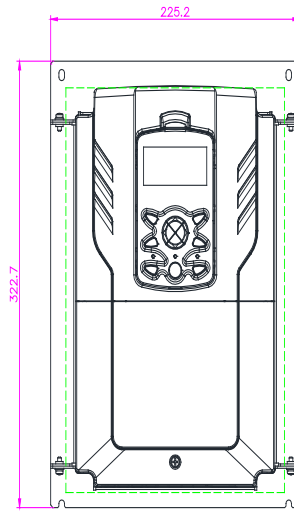
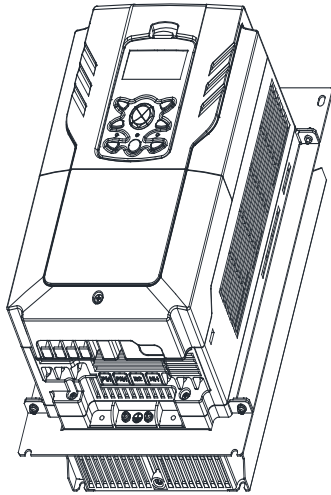
Drive + Flange



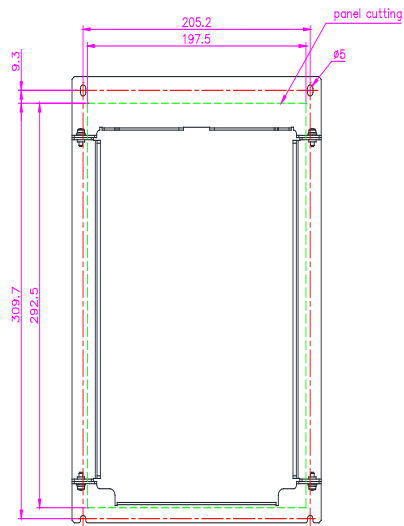
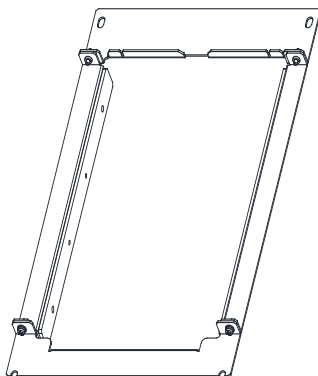
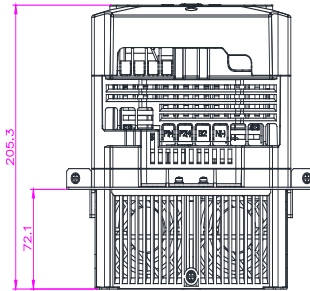
Flange



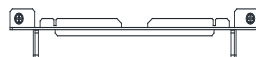
LSLV H100 15kW – 2/4, 18.5kW – 4



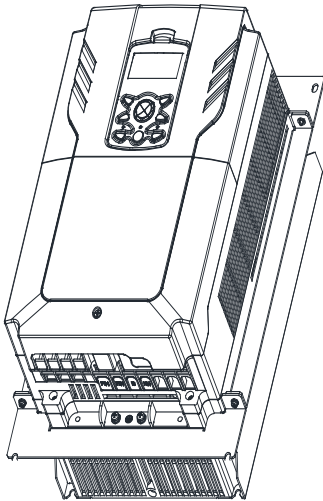
Drive + Flange



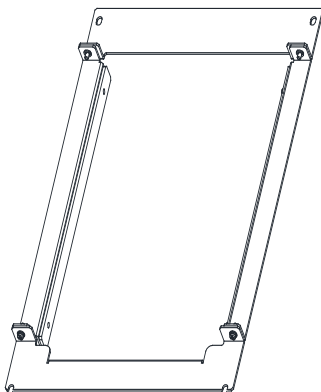
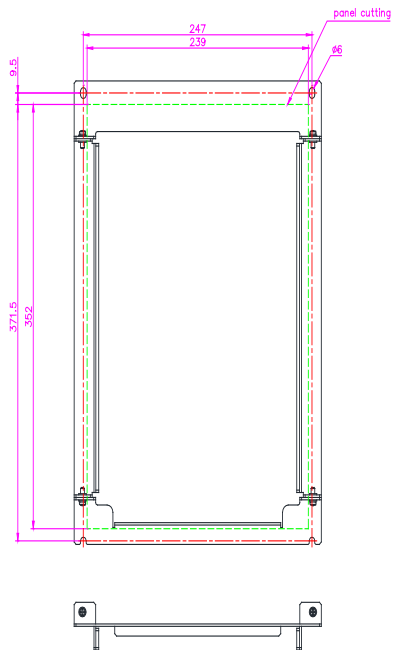
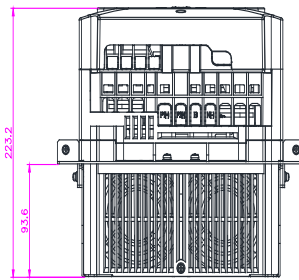
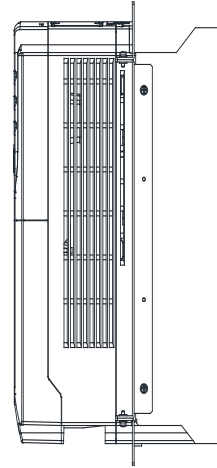
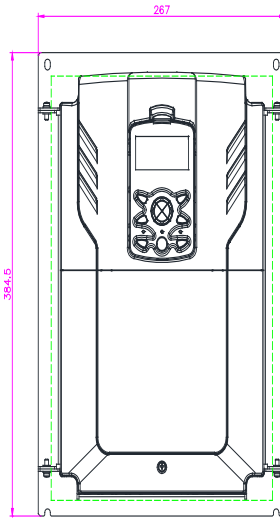
Flange



LSLV H100 18.5kW – 2, 22~30kW – 4

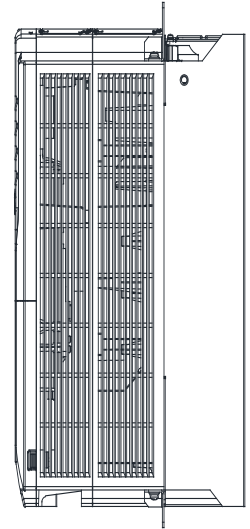
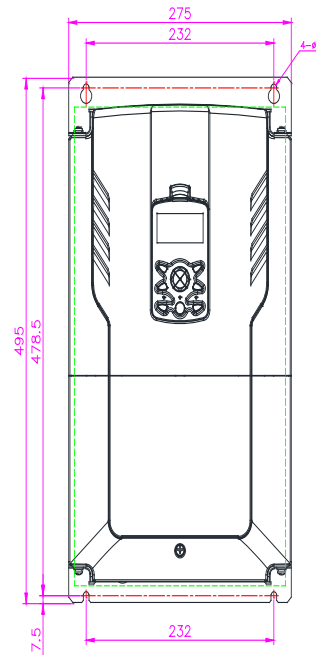
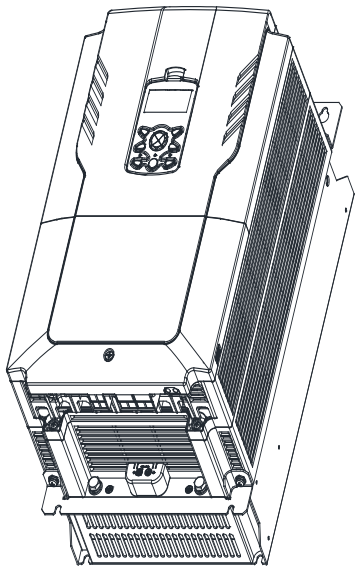


Drive + Flange

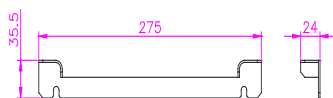
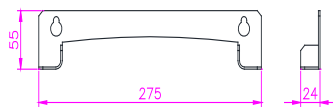
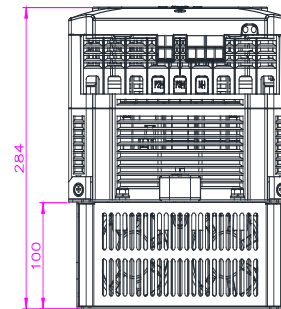


Flange

LSLV H100 37kW – 4

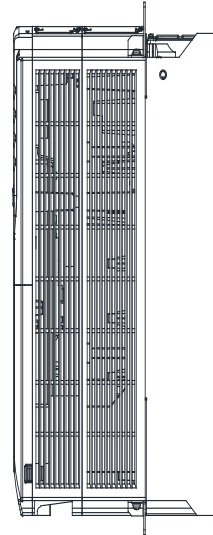
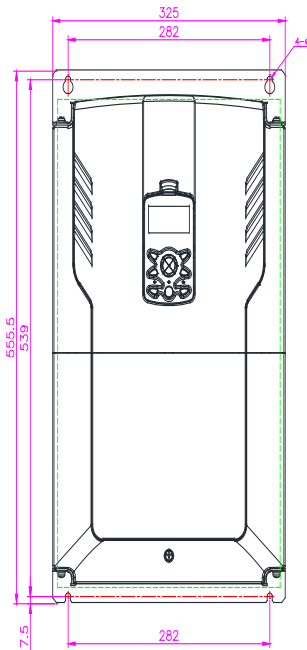
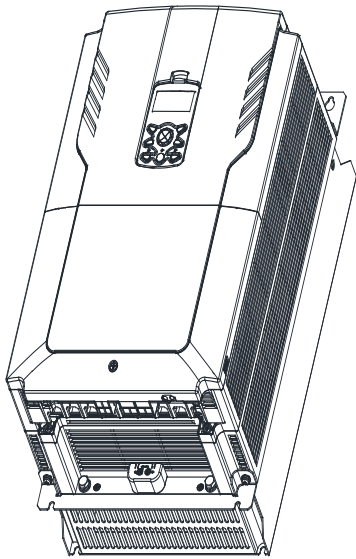


Drive + Flange

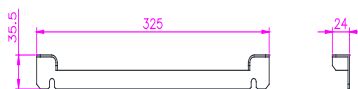
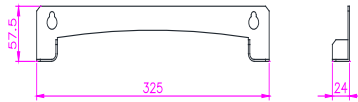
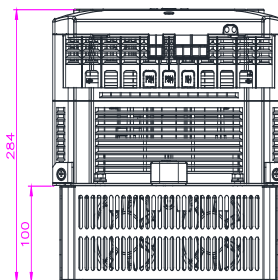


Flange

LSLV H100 45~55kW – 4

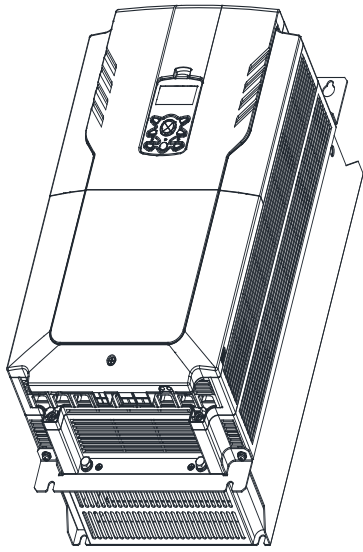


Drive + Flange

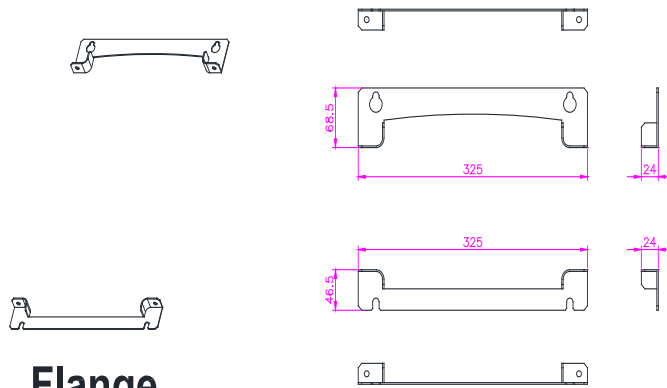
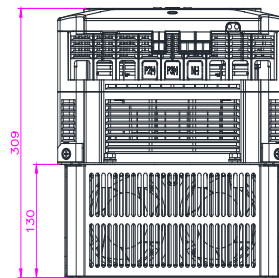
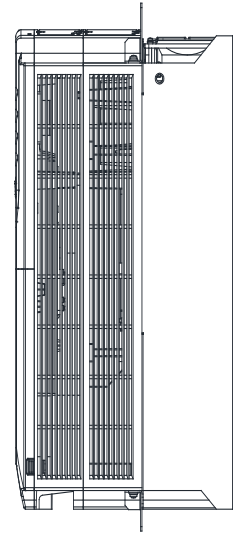
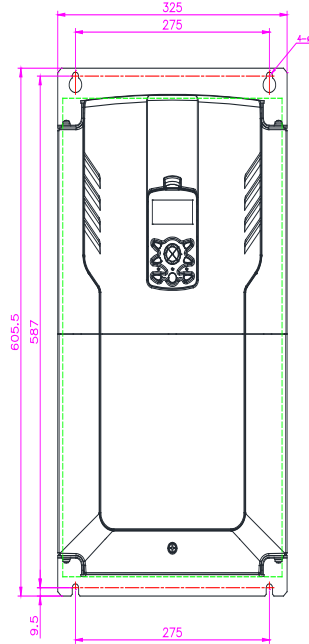


Flange

LSLV H100 75~90kW – 4



Drive + Flange



Flange

8. Revision History

No	Date	Editiion	Changes
1	2016.07	First Edition	-