

2LCHR Load Cell Module

FBs-2LCHR is one of the analog input modules of FATEK FBs series PLC. It supports two channel of load cell input for weight measurement.

The conversion result is represented by a signed 18 bit integer value. In order to filter out the field noise imposed on the signal, it also provides the average of sample input function.

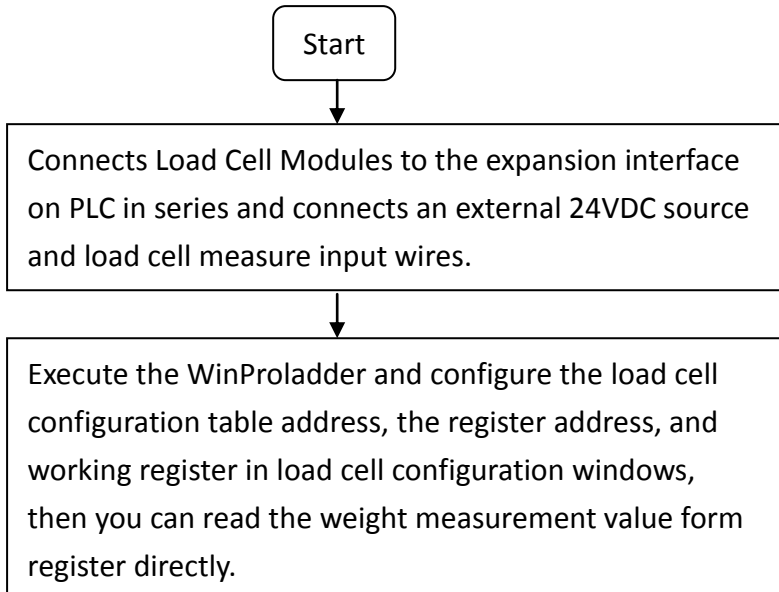
Note: 1. The supporting of I/O configuration for FBs-2LCHR module is available only for PLC OS V4.82 or later version.

1 Specifications of FBs-PLC Load Cell Measurement Modules

FBs-2LCHR Load Cell Measurement Modules

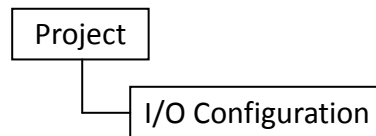
Specifications	FBs-2LCHR
Total Channels	two channels
A/D Converter Utilized	24-bit Δ - Σ A/D
Resolution	18 bits (include signed bit)
I/O Points Occupied	4 RI(Input Register) and 8 DO
Conversion Rate	5 / 10 / 25 / 30 Hz
Non-Linearity	0.01% F.S. (@25°C)
Zero Drift	0.2 μ V/°C
Gain Drift	10 ppm/°C
Excitation Voltage	5V with 100 Ω driving capability
Sensitivity	2mV/V, 5mV/V, 10mV/V,20mV/V
Software Filter	Moving average
Average Samples	2/4/8 configurable
Isolation	Transformer(Power) and photo-coupler(Signal)
Indicator(s)	5V PWR LED
Supply Power	24V-15%/+20%, 2VA
Internal Power Consumption	5V, 100mA
Operating Temperature	0 ~ 60 °C
Storage Temperature	-20 ~ 80 °C
Dimensions	40(W)x90(H)x80(D) mm

2 The Procedures of Using FBs-PLC Load Cell Module



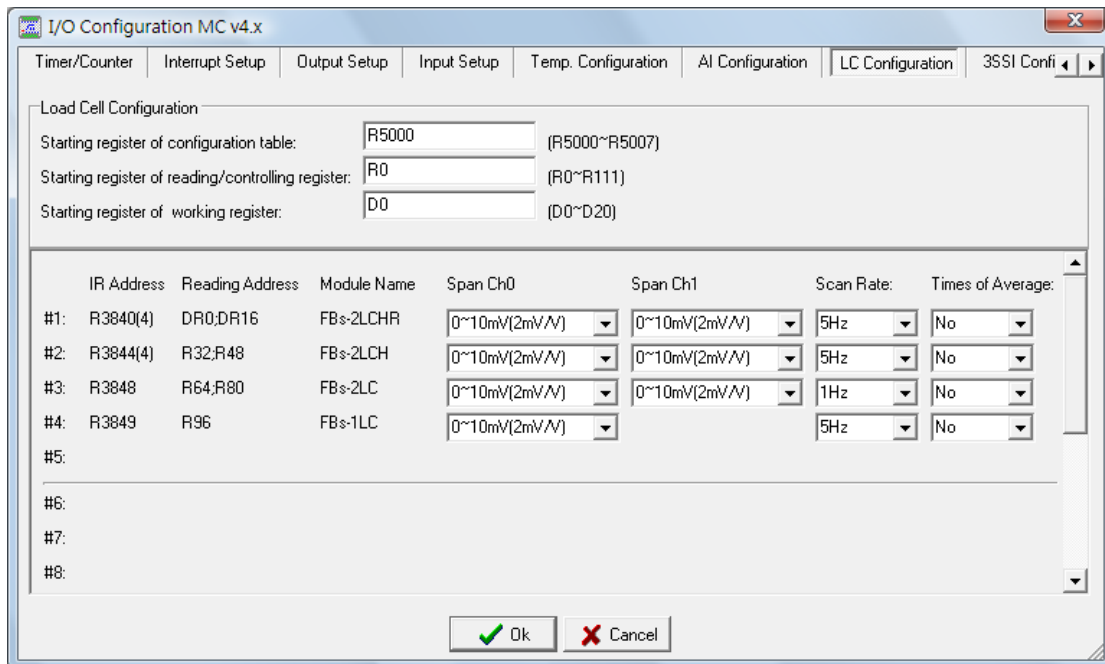
3 The Procedures of Configure the Load Cell Measurement

Click the item “I/O Configuration” which in Project Windows:



→ Select “LC Configuration” :

Once the setting page displayed, is able to measure the load cell module.



1. [Starting register of configuration table] :

Assign a starting register value to store the load cell configuration table, there will allow the following inputs:

RXXXX or DXXXX

The configuration table only occupies 4+N of registers, where N is the number of load cell modules.

As shown in the above example, R5000~ R5007 stores the load cell configuration table.

2. [Starting register of reading/control register] :

Please input the starting register number of a block register that were allocated for receiving the measurement value and control parameters for load cell

There will allow the following inputs, RXXXX or DXXXX
one channel occupies 16 register.

As shown in the above example, channel 1 used R0 ~ R15.

3. [Starting register of working register] :

Assign a starting registers to reserve the working registers, there will allow the following inputs RXXXX or DXXXX.

The load cell measurement register occupies (Nx4)+5 registers, where N is the number of load cell modules.

As shown in the above example, D0~D20 are the working registers.

Notes: The above three settings can be used in all Load Cell modules.

【Load cell module installation information and setup】

4. [Module #1 ~ #16] :

Display the name of the installed module and the analog starting address of its own, there are the following modules.

- ① FBs-1LC (1 channel of load cell module)
- ② FBs-2LC (2 channels of load cell module)
- ③ FBs-2LCH (2 channels of load cell module)
- ④ FBs-2LCHR (2 channels of load cell module)

5. [Span Ch0# / Ch1#] : Assign the following selection of the measurement range:

0~10mV(2mV/V), 0~25mV(5mV/V), 0~50mV(10mV/V),
0~100mV(20mV/V)

6. [Scan Rate] : Assign the scan rate of reading value, there are two selections:

- ① FBs-1LC has 5 / 10 / 25 / 30 / 60 / 80 Hz can be assigned
- ② FBs-2LC has 1 / 3 / 5 / 8 Hz can be assigned
- ③ FBs-2LCH has 5 / 60 / HighSpeed Hz can be assigned
- ④ FBs-2LCHR has 5 / 10 / 25 / 30 Hz can be assigned

7. [Times of Average] : Assign the times of average for load cell measure, unbalanced average, 2 times the average, 4 times the average, and 8 times of the average can be assigned.

4 2LCHR Load cell reading / control register

In following table, let's assume the starting register of reading/control register is R

Register Offset	Description	Read/Write
DR+0	Engineering weight value	R
DR+2	Raw weight value	R
DR+4	High reference engineering value. Max. 7FFFFFFH	W
R+6	Command register- Bit 0 – set zero/tare reference Bit 1 – set high(full scale) reference	W
R+7	Auto zero threshold 0~255	W
R+8	Status register Bit 0 – Error indication Bit 1 – Over range or sensor broke indication	R
DR+9	SPAN value(high reference –zero reference)	R
DR+11	Zero value set by performing set zero reference	R
DR+13	Current compensated zero value	R
R+15	Register for internal process usage	R

Each channel occupies 16 registers.

Note :

1. Only the DR+4 、 R+6 、 R+7 register are set by user, the other register are set by system

2. R+6 :

Bit 0 = 1, set current measurement value as zero reference

- Bit 1 = 1, for SPAN. set current measurement value minus zero reference value as high reference value which corresponding to the weight value set in DR+4
3. User can convert the engineering value on their own with reference the value in DR+4,DR+9 register if necessary.
 4. Error indication includes
 - high reference engineering value(DR+4) or SPAN(DR+9) is zero or negative
 5. R+8 Bit 1 = 1, Over range or sensor broke, the DR+0 will be set to 7FFFFFFFH.
 6. Auto zeroing threshold -
This value confines the zero value drift tolerance region. If the zero drift value falls in this region, the zero drift will be compensated.
Set this value to zero will disable the auto zeroing function.
 7. D4052 – delay time for auto zeroing activation , range from 1000 ~ 5000 (mS), default is 3000 (mS).

5 Description of Related Registers for Load Cell Measurement

Installation Status of Load Cell

- R4016 : B0=1 means that the 1st channel is installed
 -
 -B15=1 means that the 15th channel is installed (the default of R4016 is FFFFH)
- R4017 : B0=1 means that the 16th channel is installed
 -
 -B15=1 means that the 31th channel is installed (the default of R4017 is FFFFH)
- When the load cell is installed (the corresponding bit must be 1), the system will perform the line broken detection. If there is line broken happened, the broken value -32760 will be displayed.
- When the load cell is not installed (the corresponding bit must be 0), the system will not perform the line broken detection. The broken value will be 0.
- Depends on the user's installation, the ladder program may control the corresponding bit of R4016 and R4017 to perform or not perform the line broken detection.

6 I/O Addressing of Load Cell Module

By the time domain multiplexing design method, each load cell module occupies 4 point of input register and 8 points of digital output for I/O addressing. For correct I/O access, the I/O addressing of extension modules following the load cell module must be added the I/O quantity which the corresponding module should have. The WinProladder provides an easy and convenient way to calculate the I/O address for the extension modules through the on-line "I/O Numbering" operation.

7 2LCHR Wiring of Load Cell Modules

