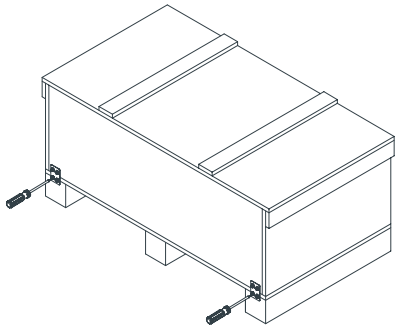


# Unpacking Instruction (125-175HP)

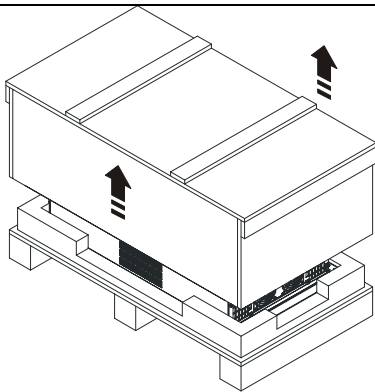
## 產品取出說明書 (125-175HP)

---



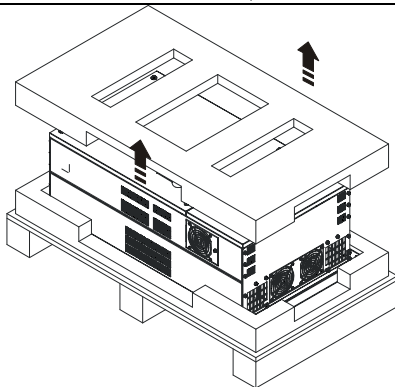
Step 1: Unscrew all the cover screws.

步驟一：鬆開木箱上蓋的所有螺絲。



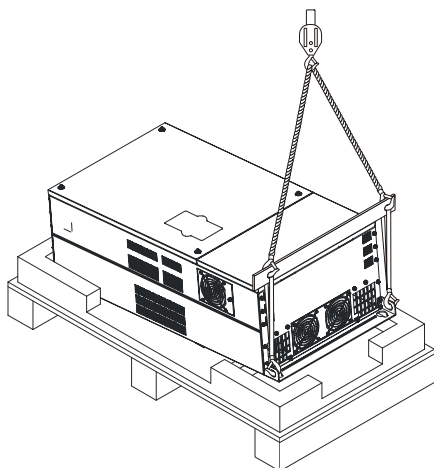
Step 2: Lift the wooden box.

步驟二：將木箱向上取出。



Step 3: Lift the EPE.

步驟三：將 EPE 向上取出。



Step 4: Lift the AC motor drive following the steps on the back page.

步驟四：再依背面所示之方式將變頻器吊起。

---

2007-12-11

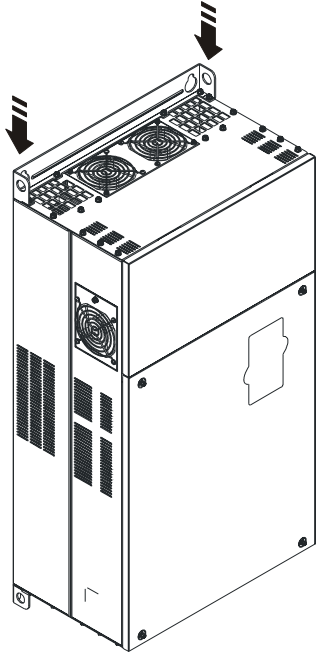


5011673500-BW10

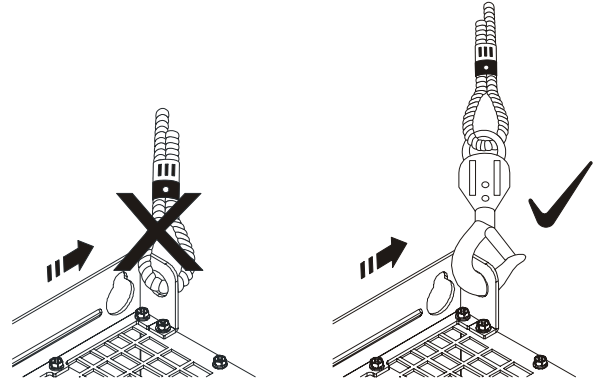
# Lifting Instruction

## 產品搬運說明書

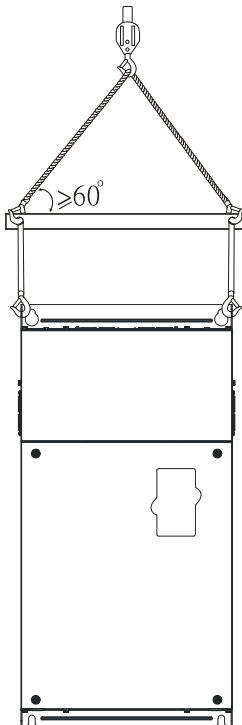
Step 1



Step 2



Step 3



Step 4

