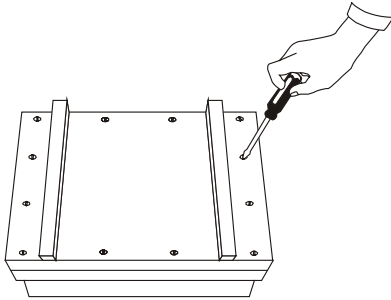


# Unpacking Instruction

## 產品取出說明書

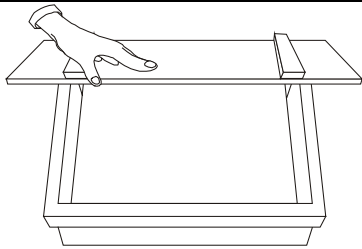
---



Step 1: Unscrew all the cover screws.

步驟一：鬆開木箱上蓋的所有螺絲。

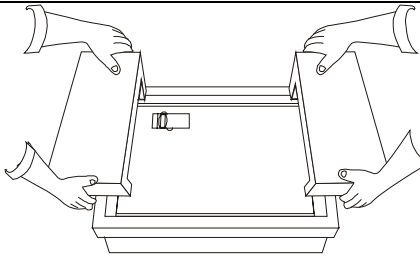
---



Step 2: Open the cover.

步驟二：打開木箱上蓋。

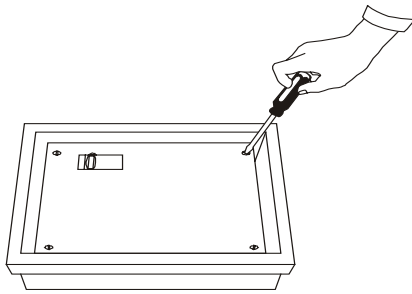
---



Step 3: Remove EPEs.

步驟三：取出上方的 EPE。

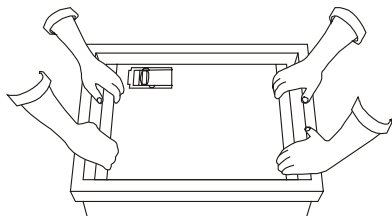
---



Step 4: Unscrew the four cover screws.

步驟四：鬆開上蓋的四顆螺絲。

---



Step 5: Remove front cover of AC drive to  
take the drive out of the box.

步驟五：卸下變頻器上蓋以便取出變頻器。

---

2007-10-29

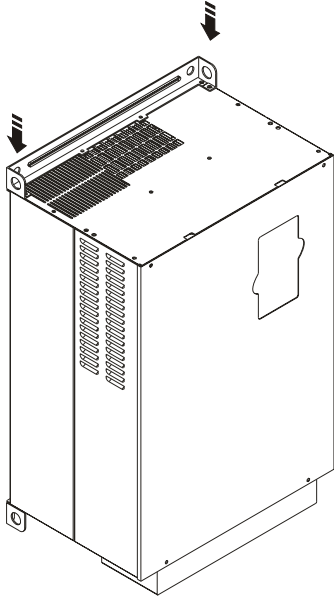


5011618804-BTS4

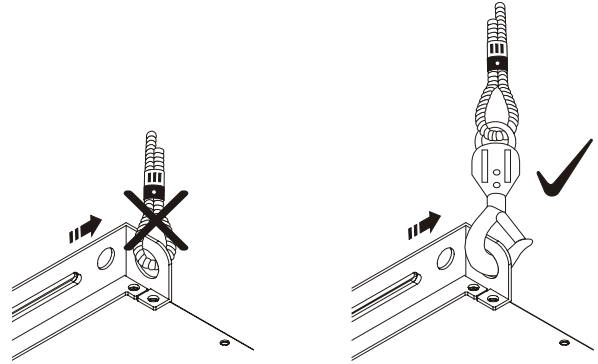
# Lifting Instruction

## 產品搬運說明書

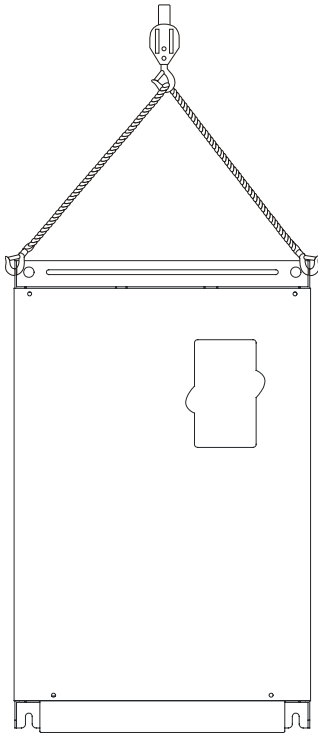
Step 1



Step 2



Step 3



Step 4

