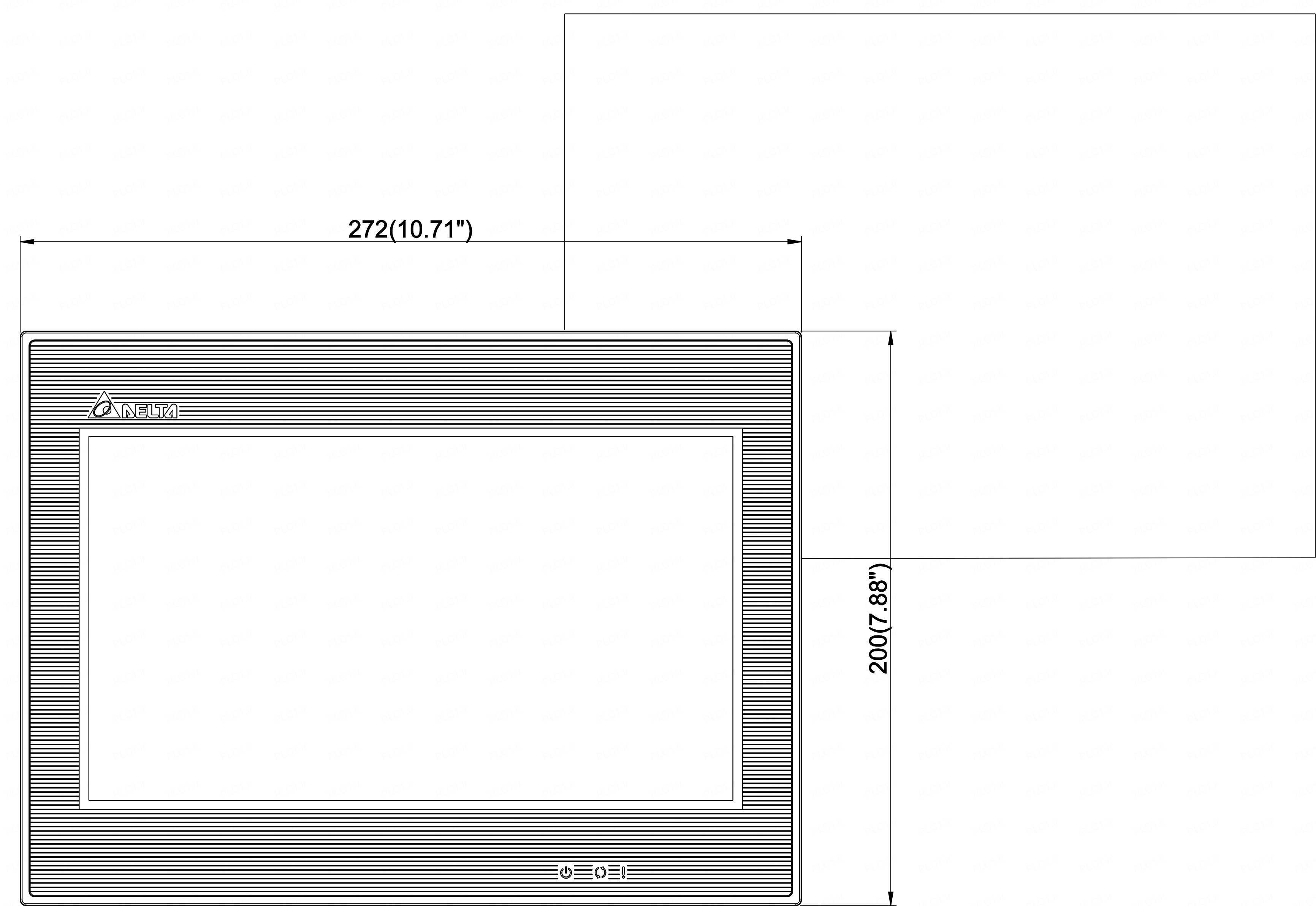
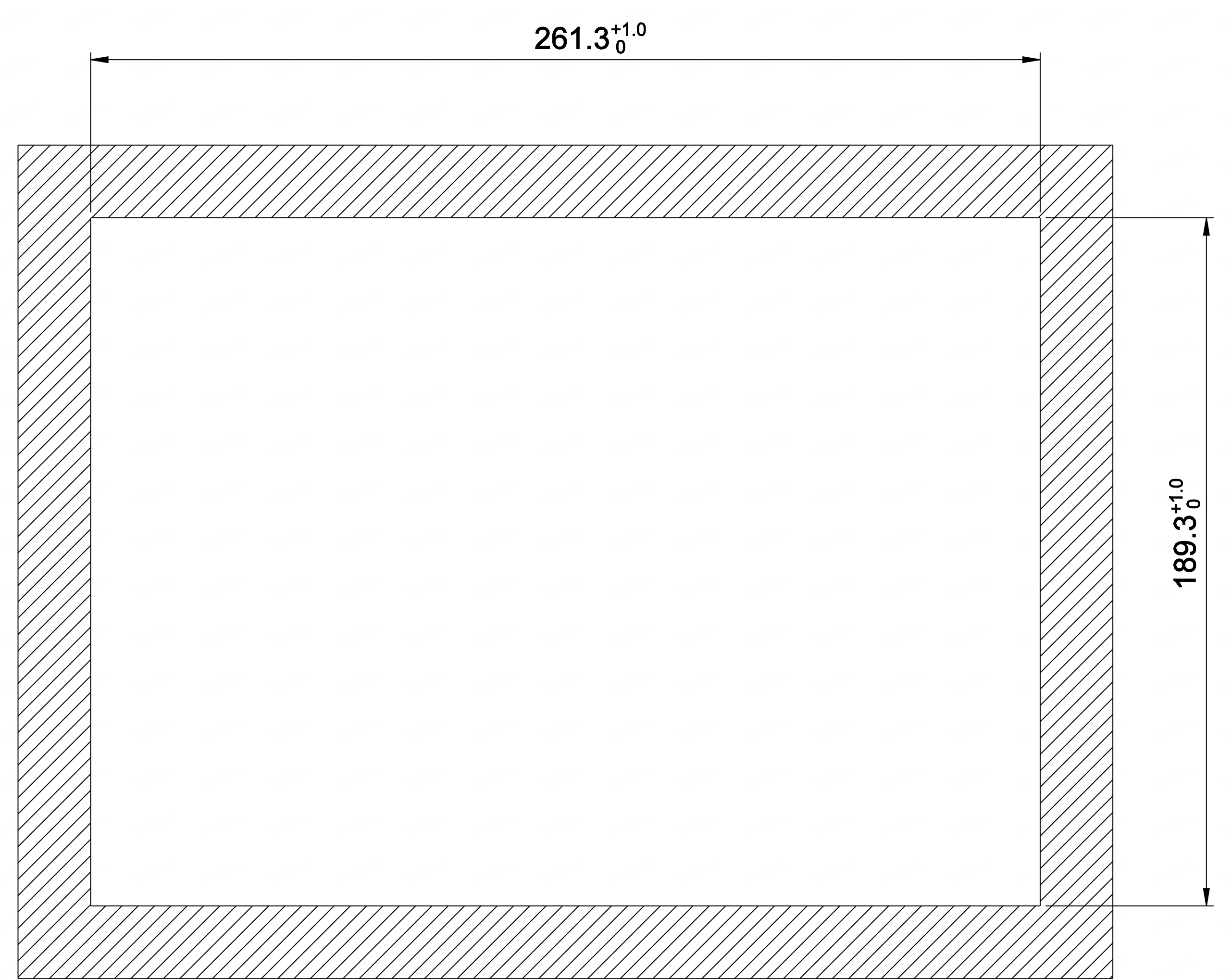
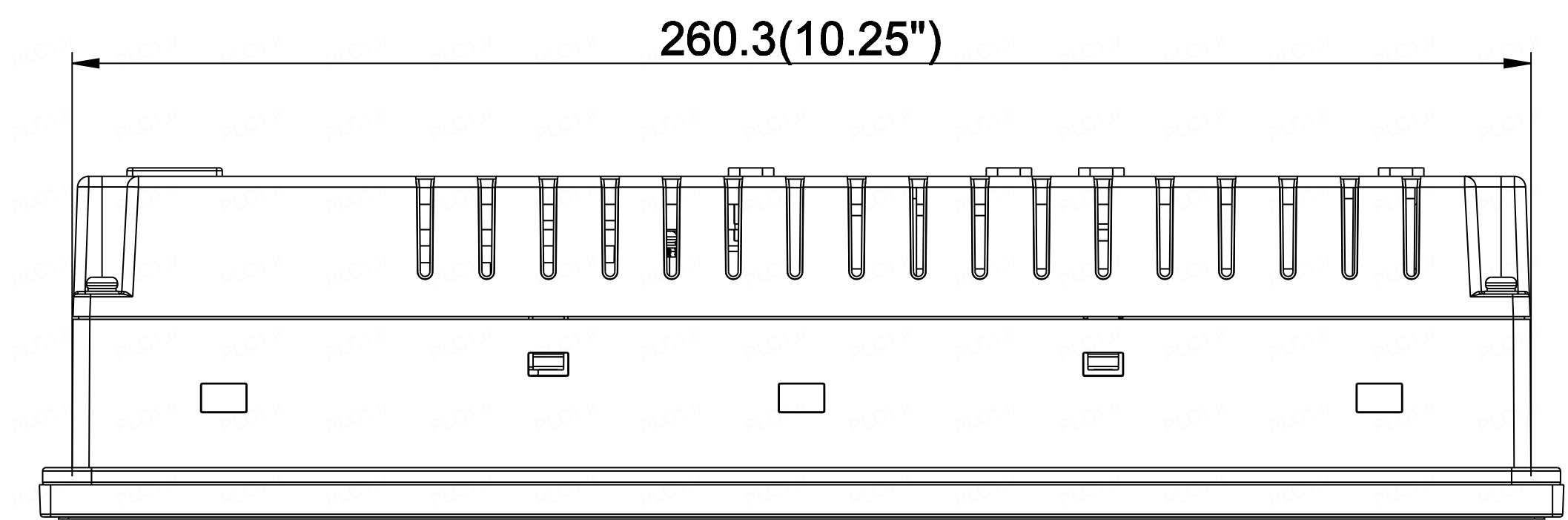
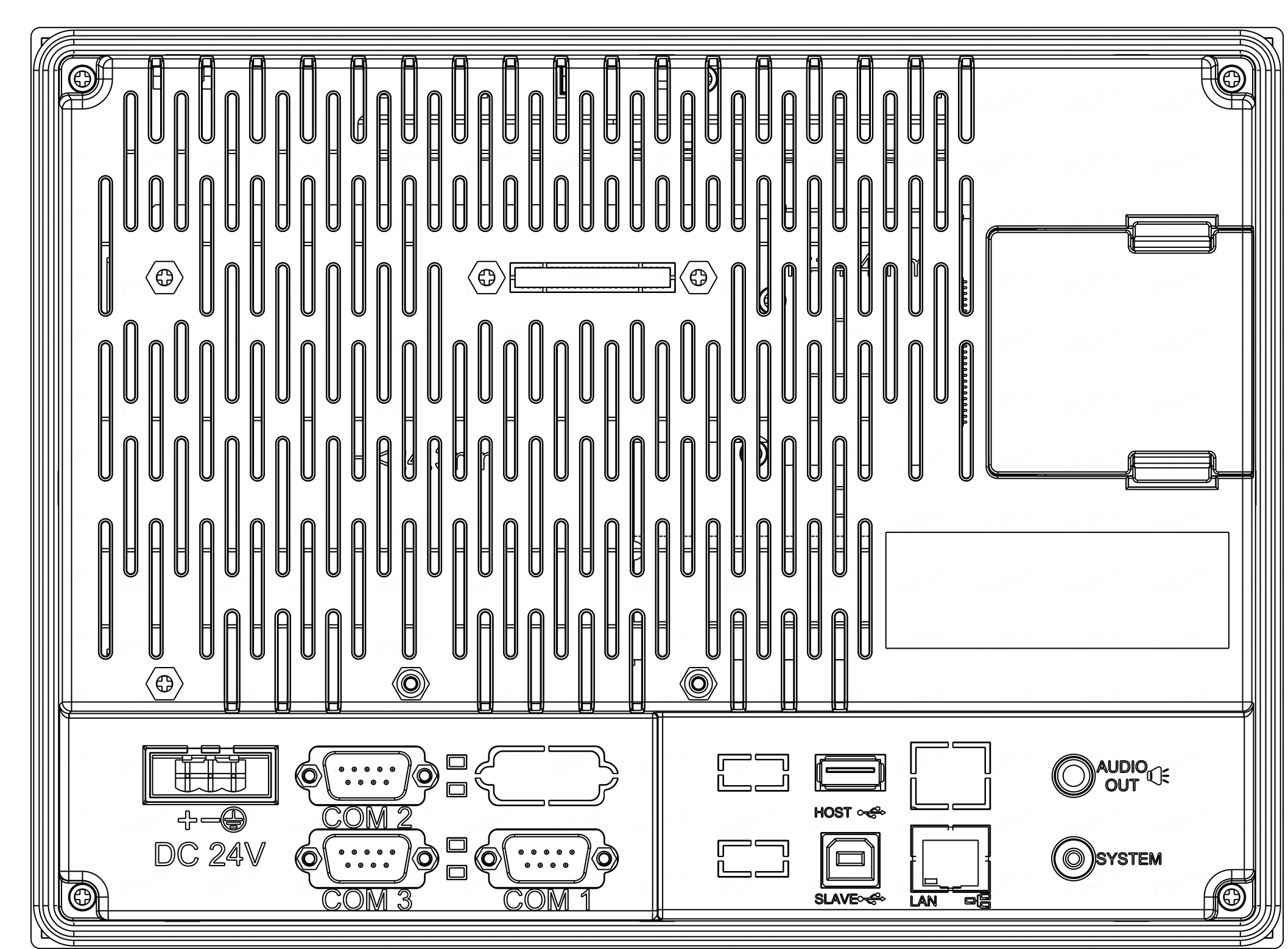
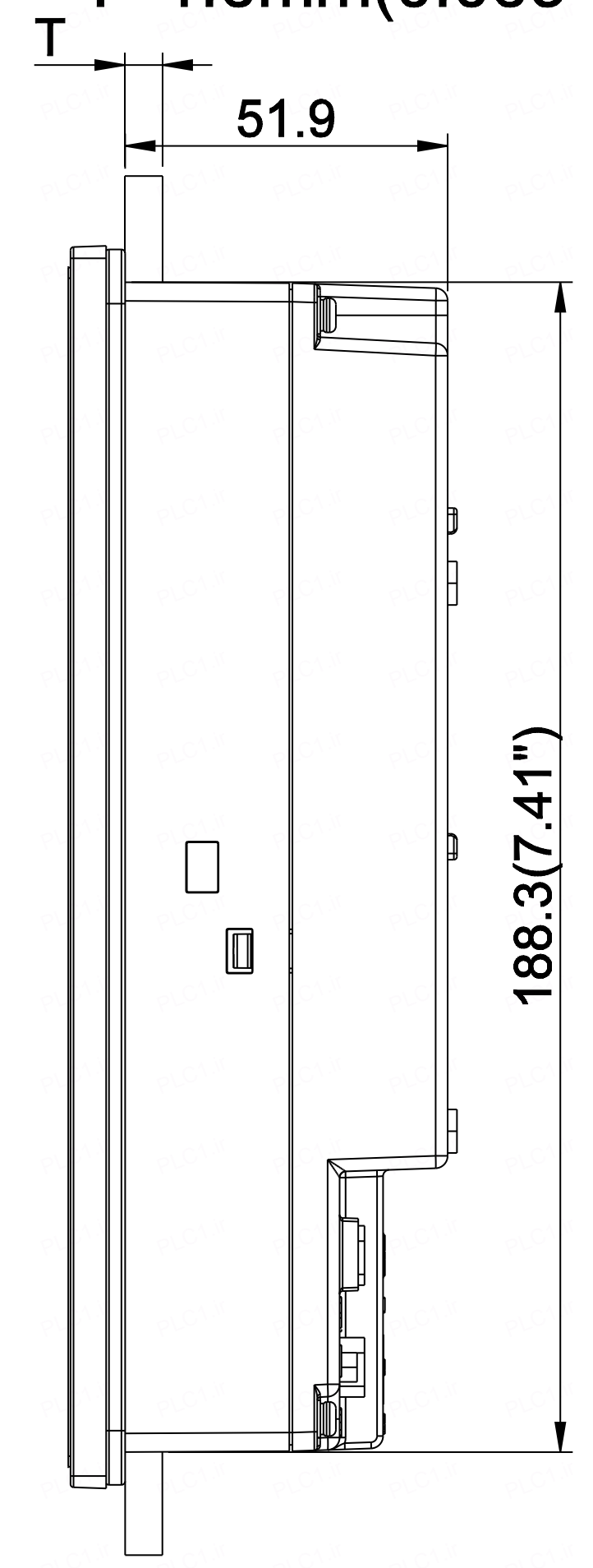


1 2 3 4 5 6 7 8 9 10 11 12 13 14

REV. 00 ECN NO. _____



Note:
T=1.6mm(0.063")~6mm(0.24")



台達電子工業股份有限公司 DELTA ELECTRONICS, INC.		DRAWN: _____ DATE: 7/27/2009	DESIGN: _____ ECN NO.: _____
THESE DRAWINGS AND SPECIFICATIONS ARE THE PROPERTY OF DELTA ELECTRONICS, INC. AND SHALL NOT BE REPRODUCED OR USED AS THE BASIS FOR THE MANUFACTURE OR SELL OF APPARATUS OR DEVICES WITHOUT PERMISSION.		DIMENSIONAL TOLERANCES (V) () () ANGLES DECIMALS ≤ 50 ± 0.1 ≤ 50 ± 0.15 ≤ 50 ± 0.2 $\le 30^\circ$ $\pm 0.1^\circ$ X ± 0.3 $>50-100$ ± 0.15 $>50-100$ ± 0.2 $>50-100$ ± 0.25 $>30^\circ-40^\circ$ $\pm 0.3^\circ$ X.X ± 0.2 $>100-200$ ± 0.2 $>100-200$ ± 0.25 $>100-200$ ± 0.3 $>60^\circ-90^\circ$ $\pm 0.5^\circ$ X.XX ± 0.1 >200 ± 0.2 >200 ± 0.25 >200 ± 0.3	
DRAWING NAME: PD USED ON: DOP-B10XXXX		PART NO.: _____ UNIT: mm SCALE: 1.000	SHEET 1 OF 1 REV. NO.: 00

1 2 3 4 5 6 7 8 9 10 11 12 13 14 DF-MEA0H-2R01