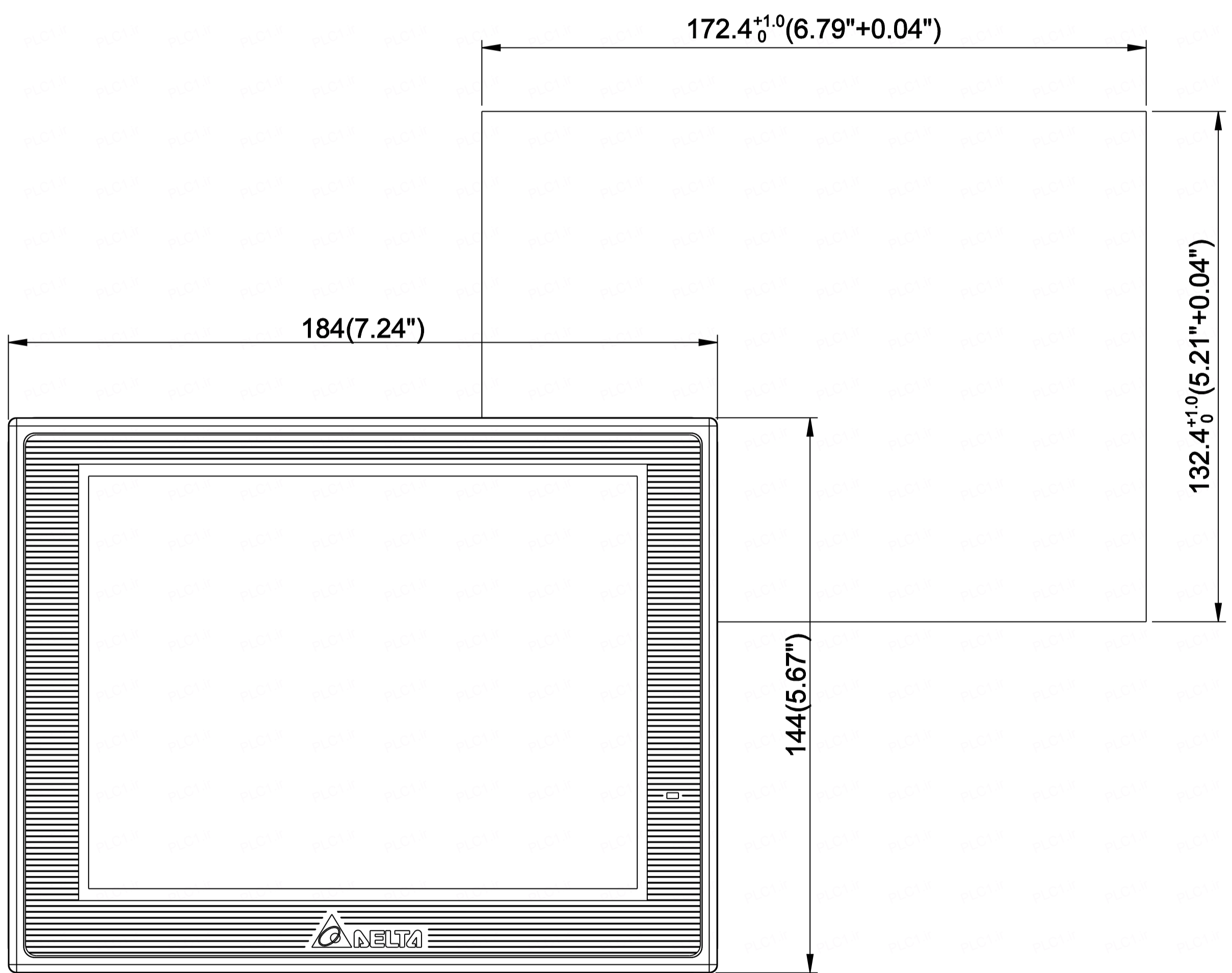
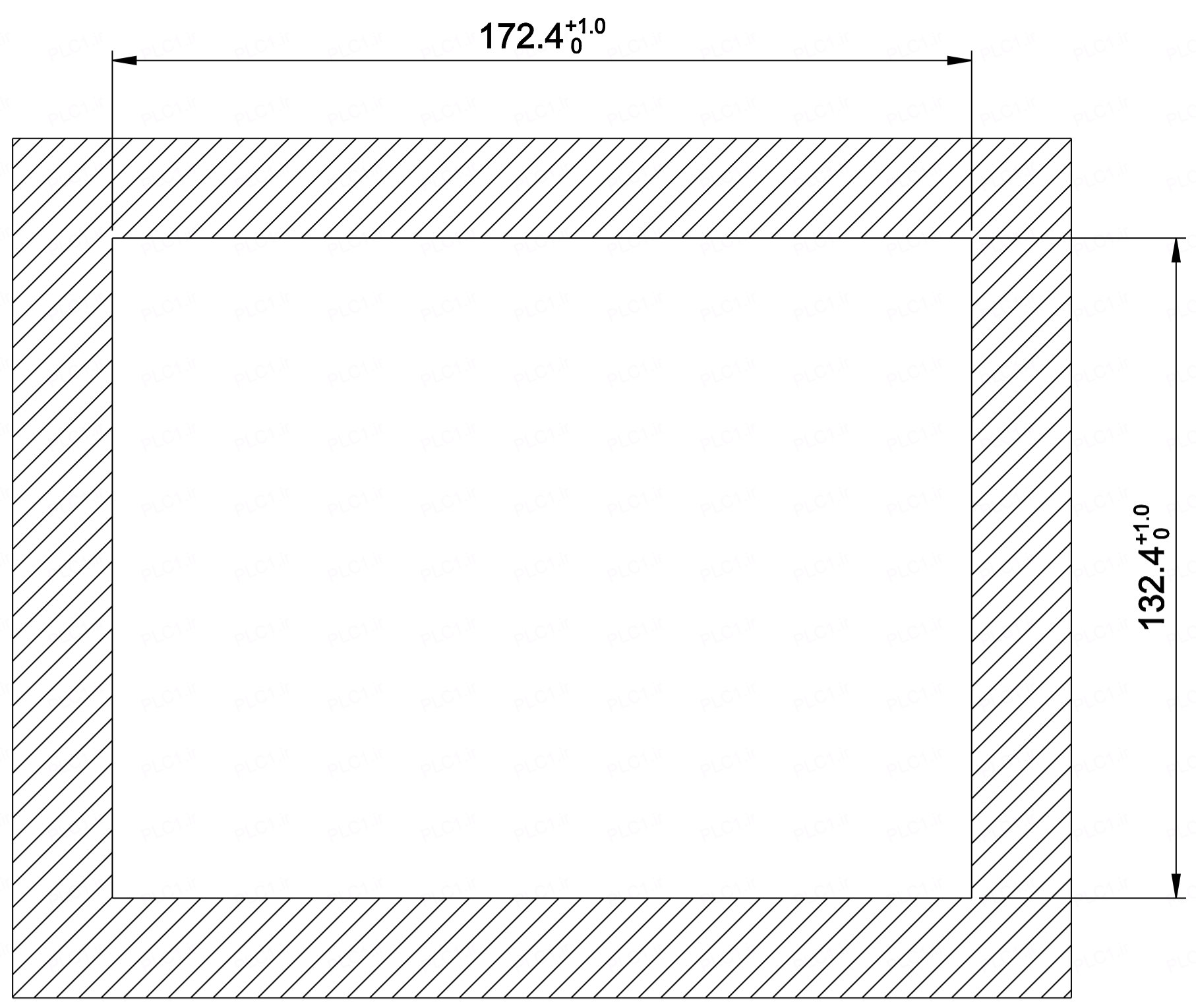
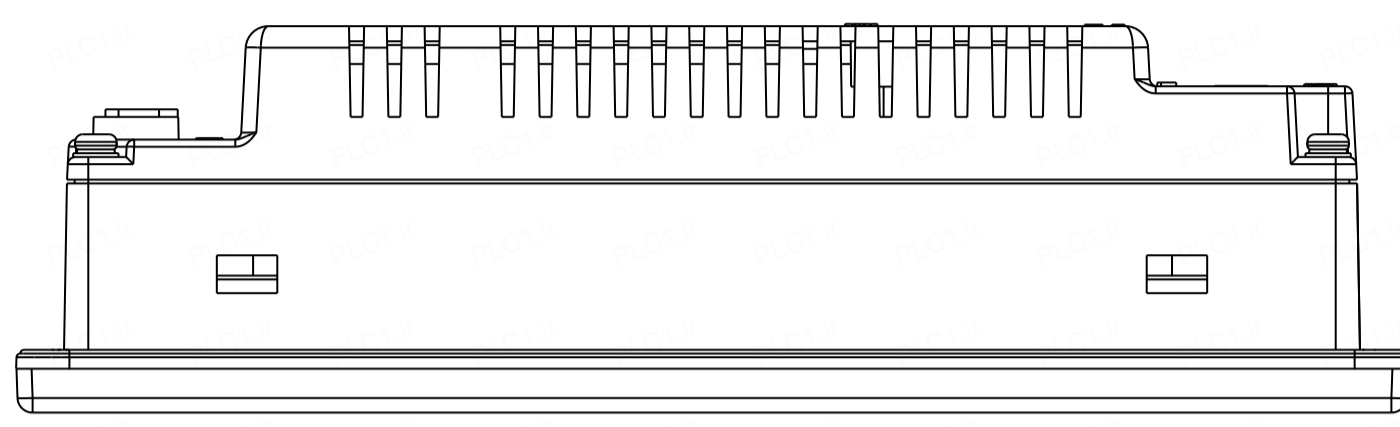


1 2 3 4 5 6 7 8 9 10 11

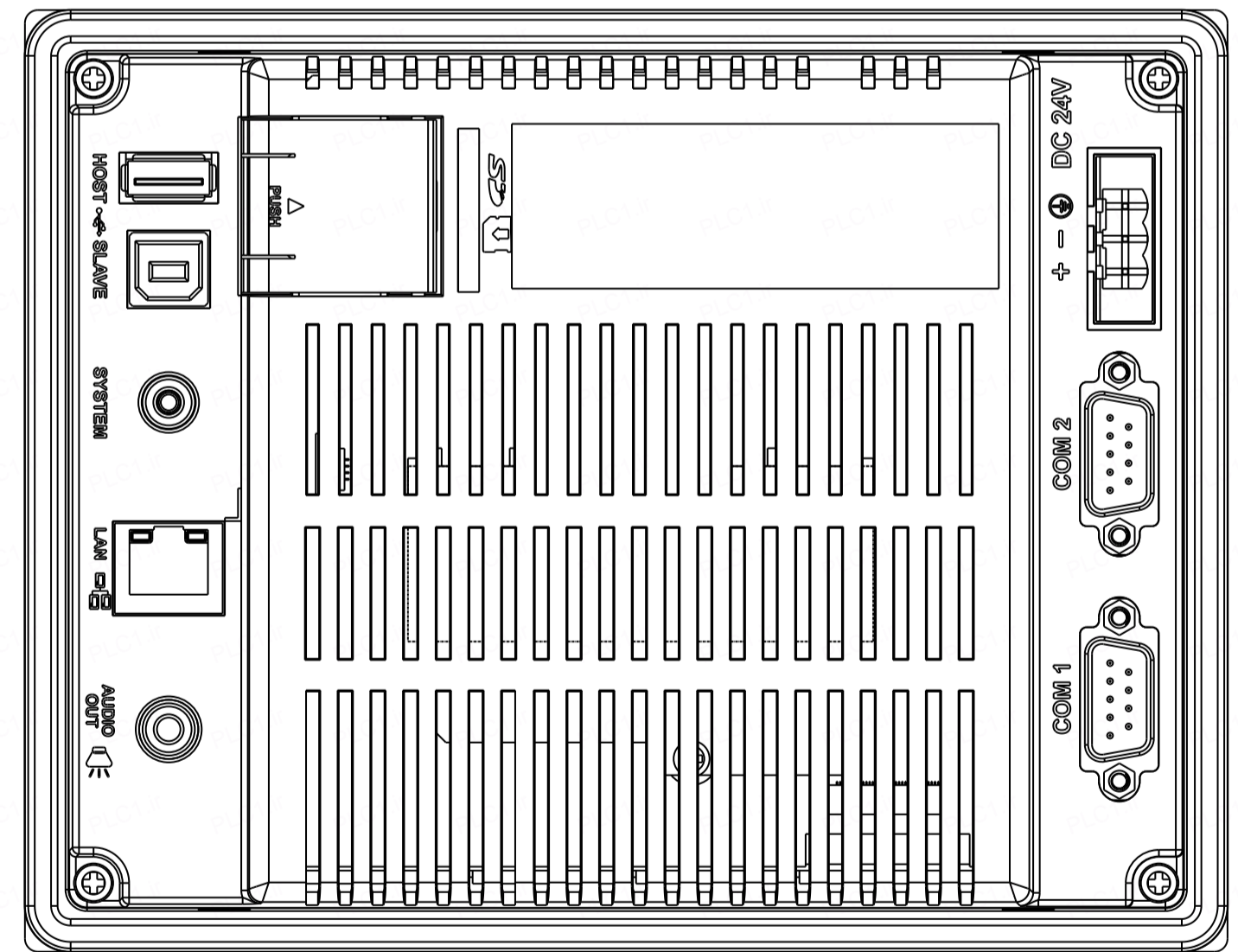
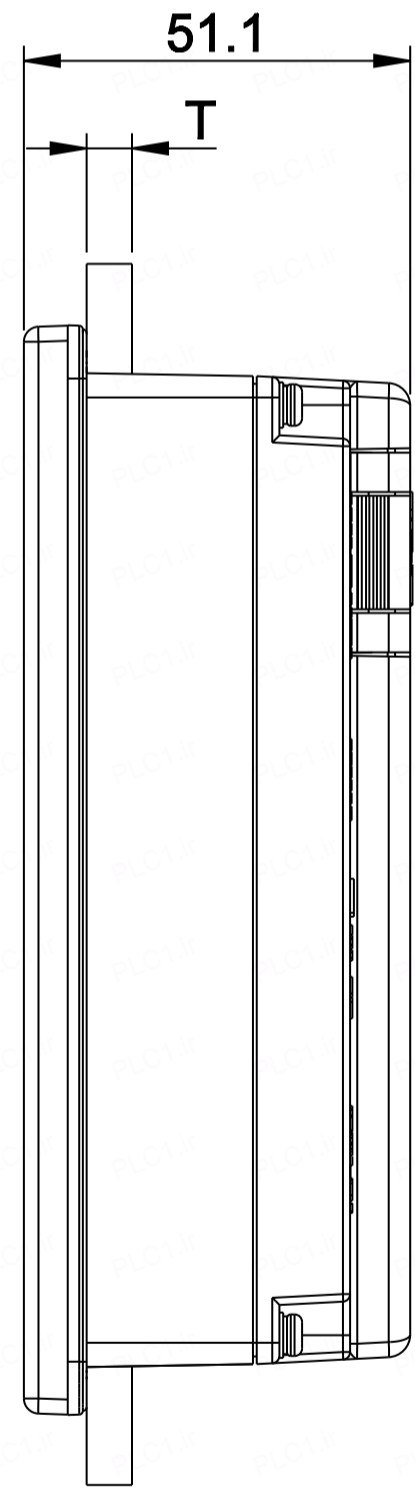
REV. 00 ECN NO. -----

A B C D E F G H I J

A B C D E F G H I J



Note:
T=1.6mm(0.063")~
6mm(0.24")



台達電子工業股份有限公司 DELTA ELECTRONICS, INC.		DRAWN: _____ DATE: 09/27/2010	DESIGN: _____ ECN NO.: _____
THESE DRAWINGS AND SPECIFICATIONS ARE THE PROPERTY OF DELTA ELECTRONICS, INC. AND SHALL NOT BE REPRODUCED OR USED AS THE BASIS FOR THE MANUFACTURE OR SELL OF APPARATUS OR DEVICES WITHOUT PERMISSION.		DIMENSIONAL TOLERANCES () () () () ANGLES DECIMALS <50 ±0.1 <50 ±0.15 <50 ±0.2 <30 ±0.1 X ±0.3 >50-100 ±0.15 >50-100 ±0.2 >50-100 ±0.25 >30'-60' ±0.3 XX ±0.2 >100-200 ±0.2 >100-200 ±0.25 >100-200 ±0.3 >60'-90' ±0.5 XXX ±0.1 >200- ±0.25 >200- ±0.25% >200- ±0.3%	
DRAWING NAME: PD		A1 SIZE THRO ANGLE PROJECTION	PART NO.: _____ REV. 00
USED ON: DOP-B07E515	UNIT: mm	SCALE: 1.000	SHEET 1 OF 1

1 2 3 4 5 6 7 8 9 10 11 DF-MEA1H-2R01