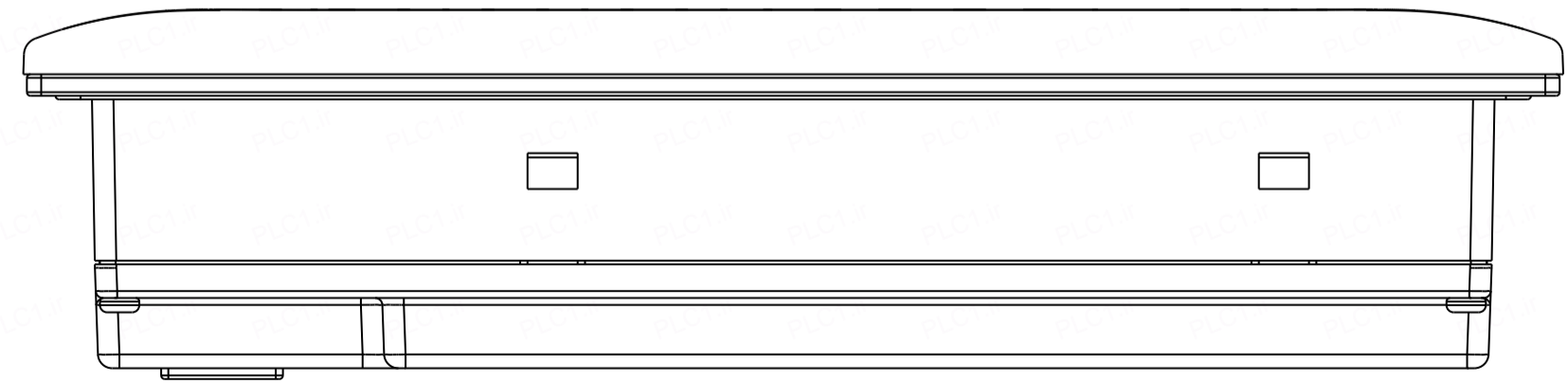
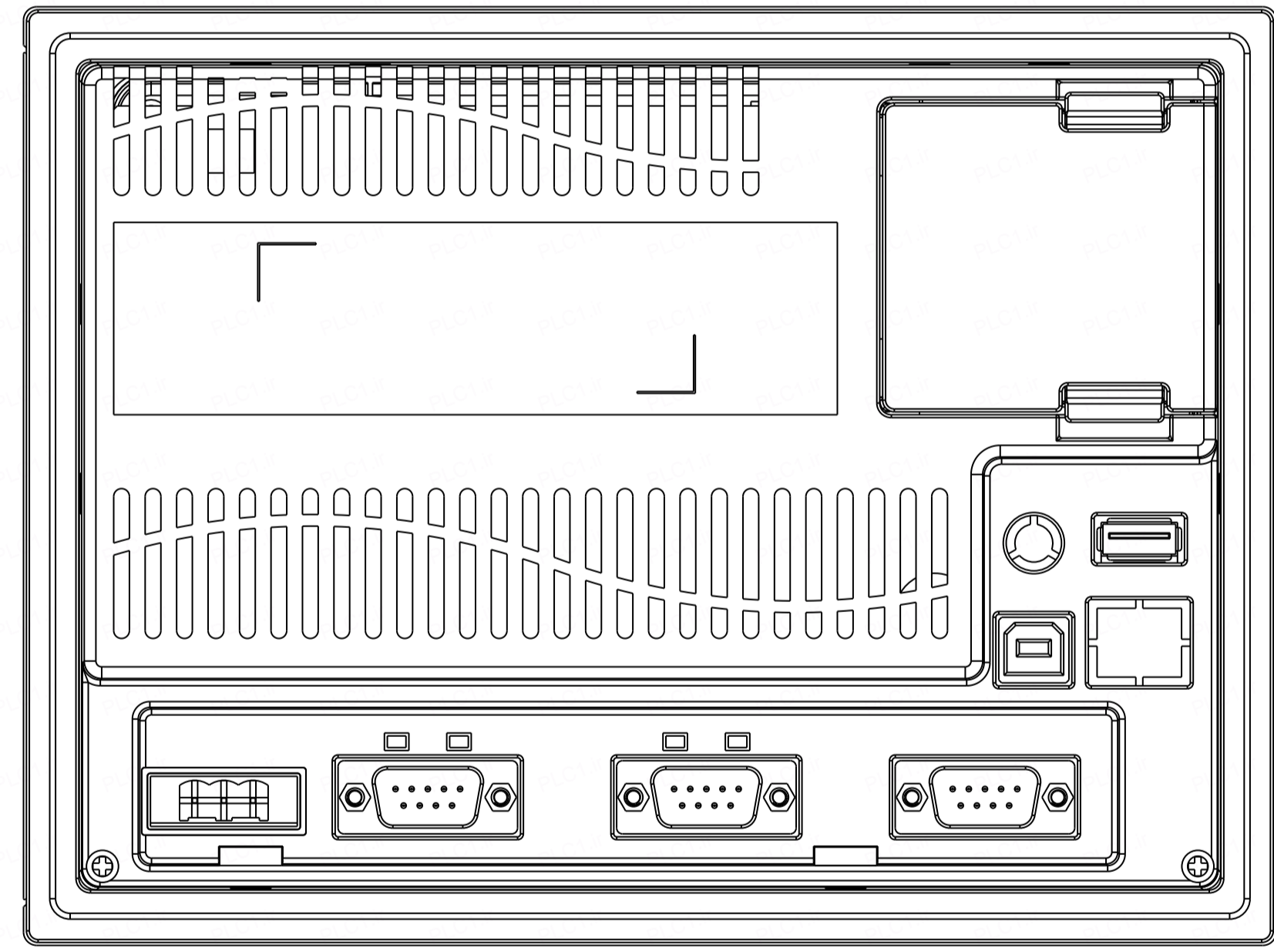
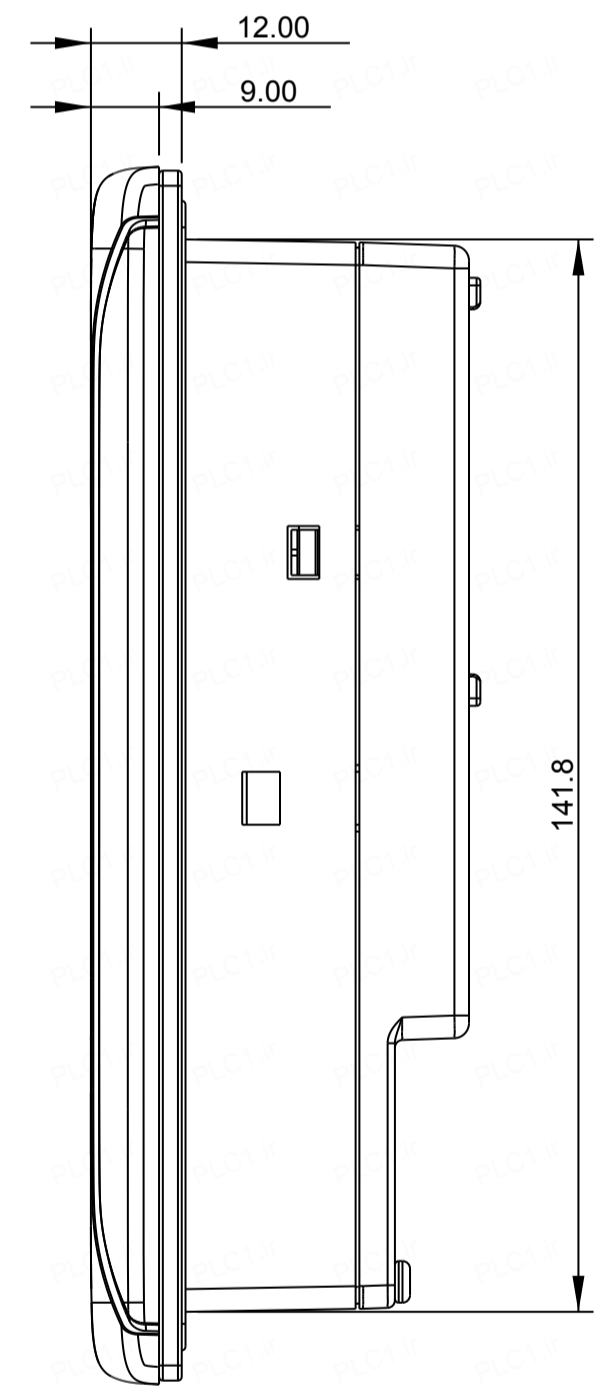
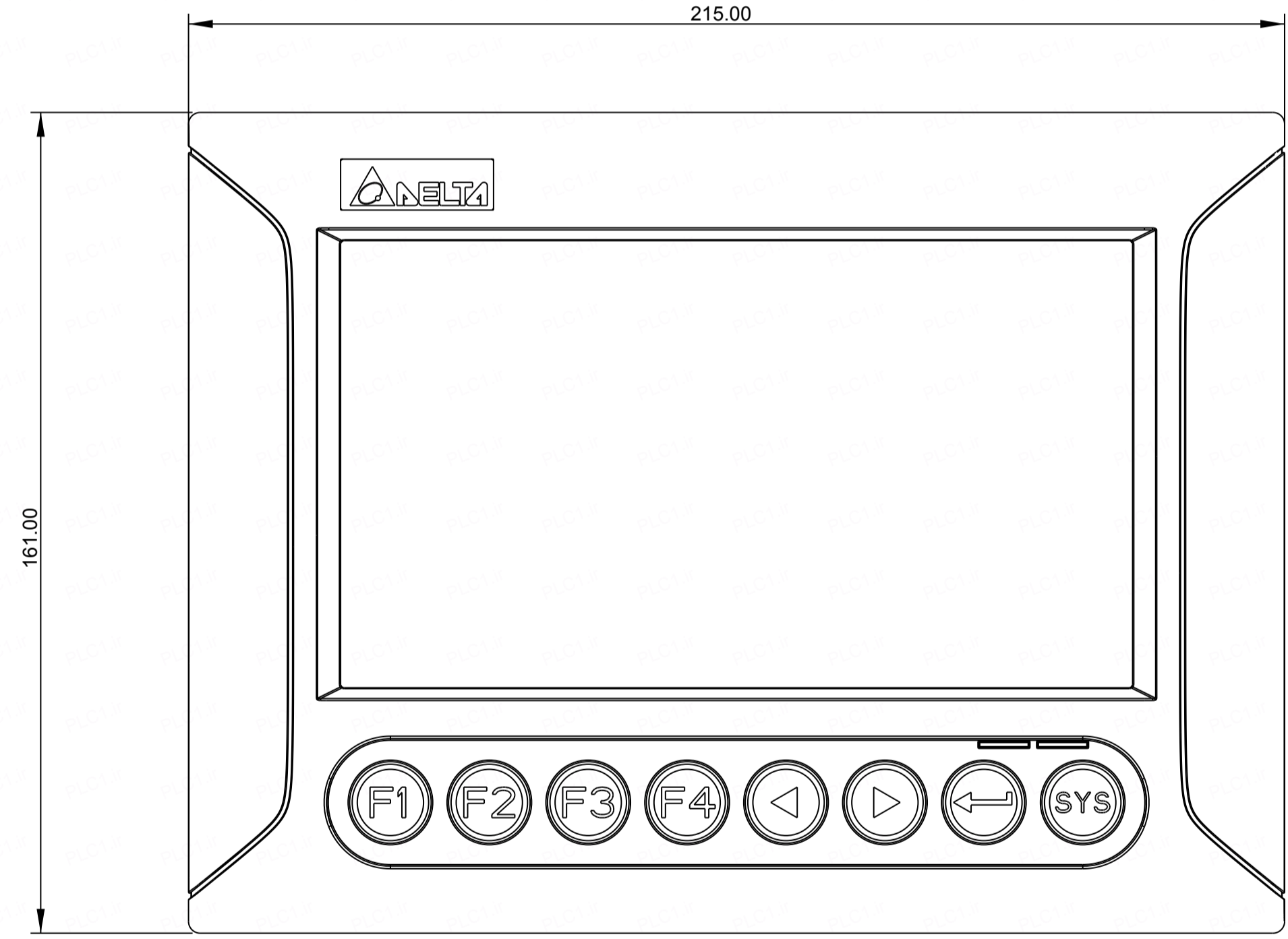
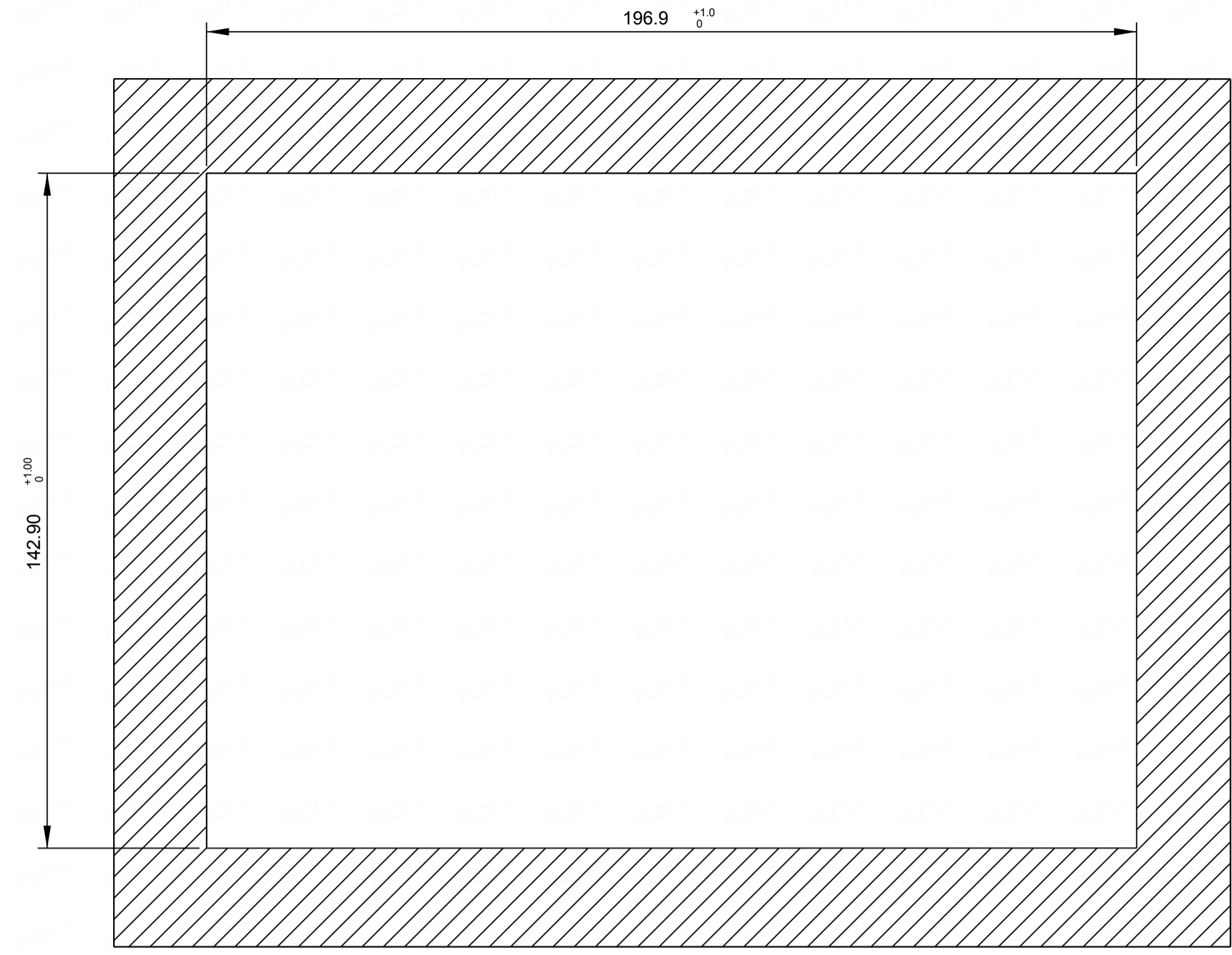
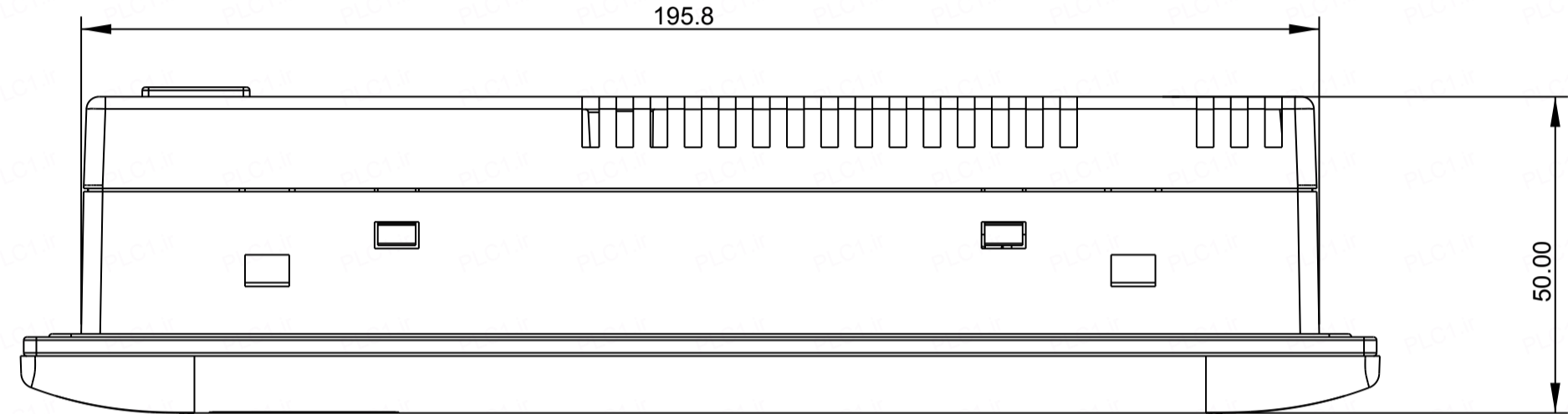


1 2 3 4 5 6 7 8 9 10 11

REV.	ECN NO.
00	-----
01	152A-078001

DOP-B07XXXX



1 2 3 4 5 6 7 8 9 10 11

台達電子工業股份有限公司 DELTA ELECTRONICS, INC.		DRAWN: DATE: 8/17/2007	DESIGN: ECN NO.:
THESE DRAWINGS AND SPECIFICATIONS ARE THE PROPERTY OF DELTA ELECTRONICS, INC. AND SHALL NOT BE REPRODUCED OR USED AS THE BASIS FOR THE MANUFACTURE OR SELL OF APPARATUS OR DEVICES WITHOUT PERMISSION.		DIMENSIONAL TOLERANCES (V) () () () ANGLES DECIMALS <50 ±0.1 <50 ±0.15 <50 ±0.2 <30° ±0.1° X ±0.3 >50-100 ±0.15 >50-100 ±0.2 >50-100 ±0.25 >30°-60° ±0.3° XX ±0.2 >100-200 ±0.2 >100-200 ±0.25 >100-200 ±0.3 >60°-90° ±0.5° XXX ±0.1 >200- ±0.2% >200- ±0.25% >200- ±0.3%	
DRAWING NAME: DOP-B07XXXX-PD		A1 SIZE THIRD ANGLE PROJECTION	PART NO.: REV. 01
USED ON DOP-B07XXXX	UNIT mm	SCALE	SHEET 1 OF 1