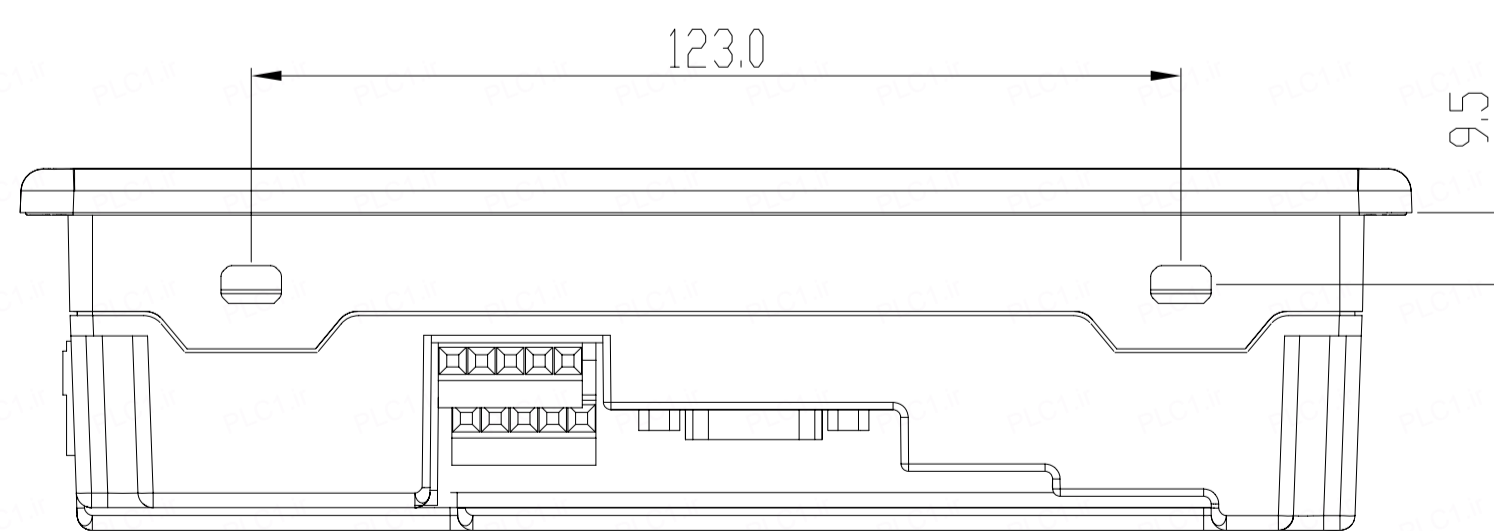
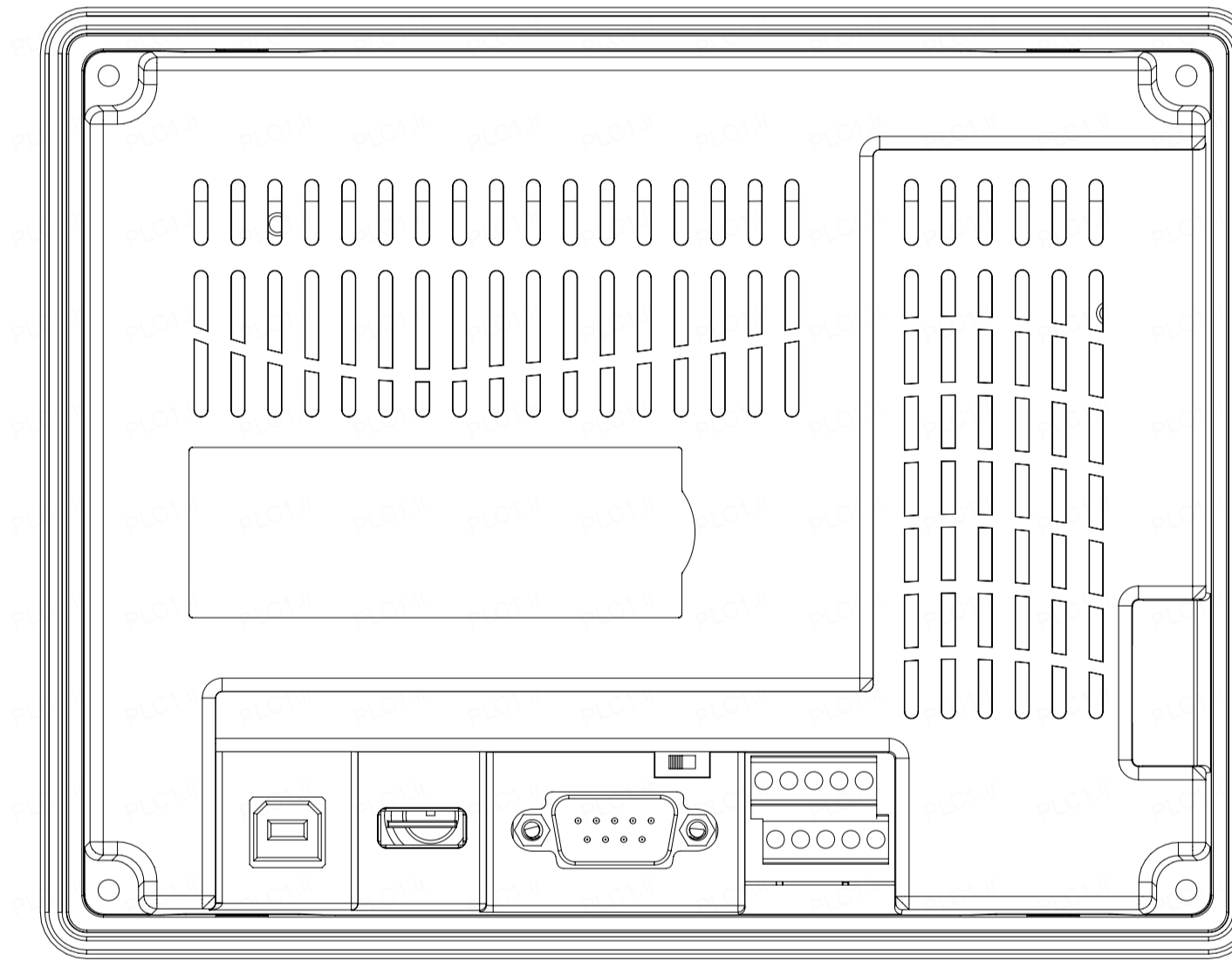
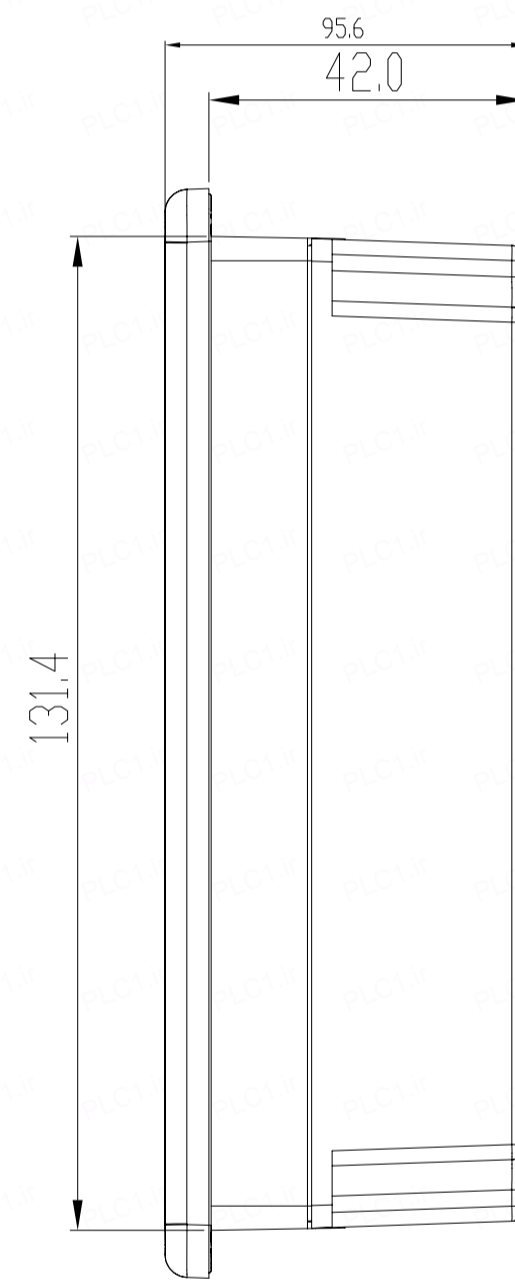
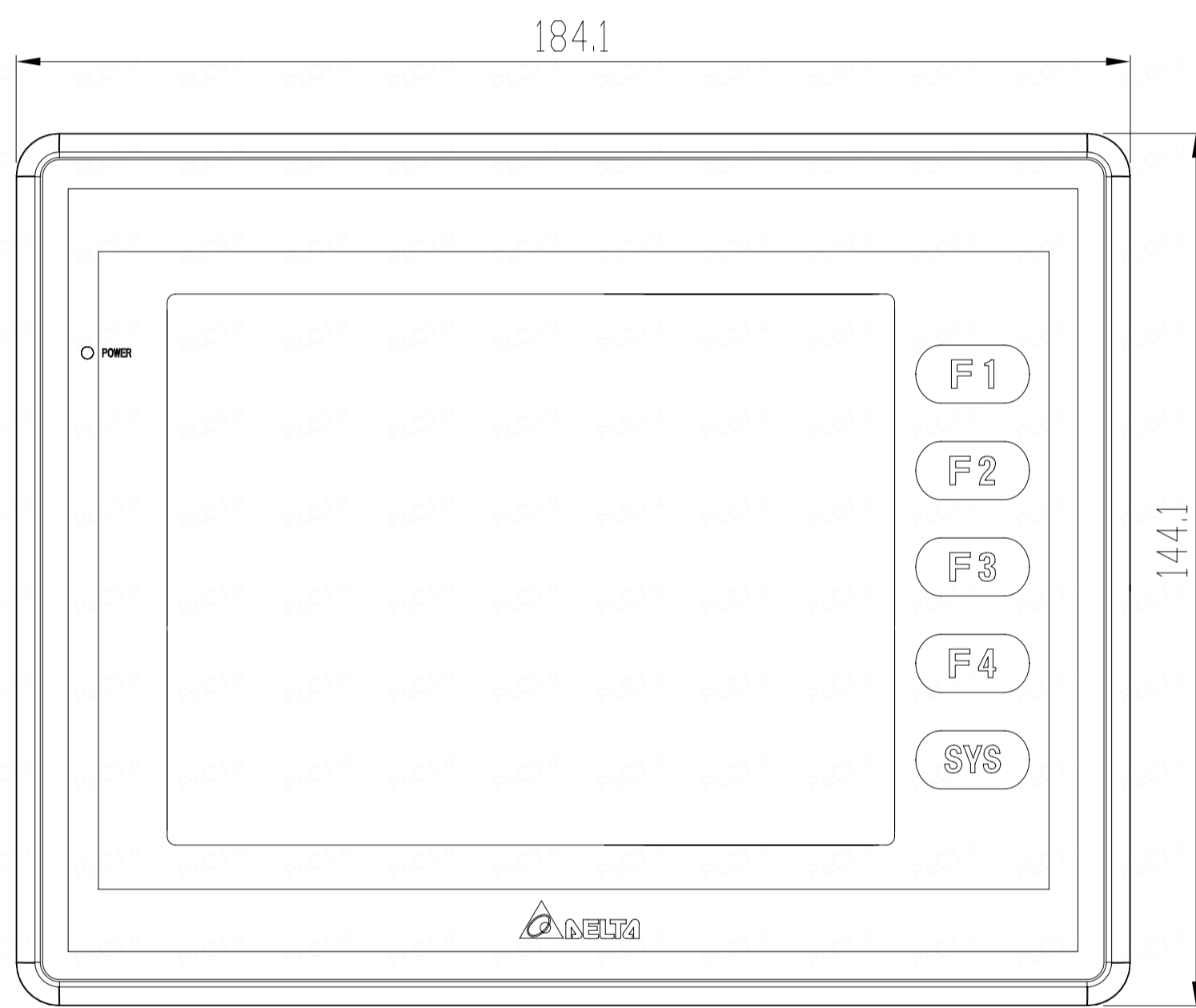
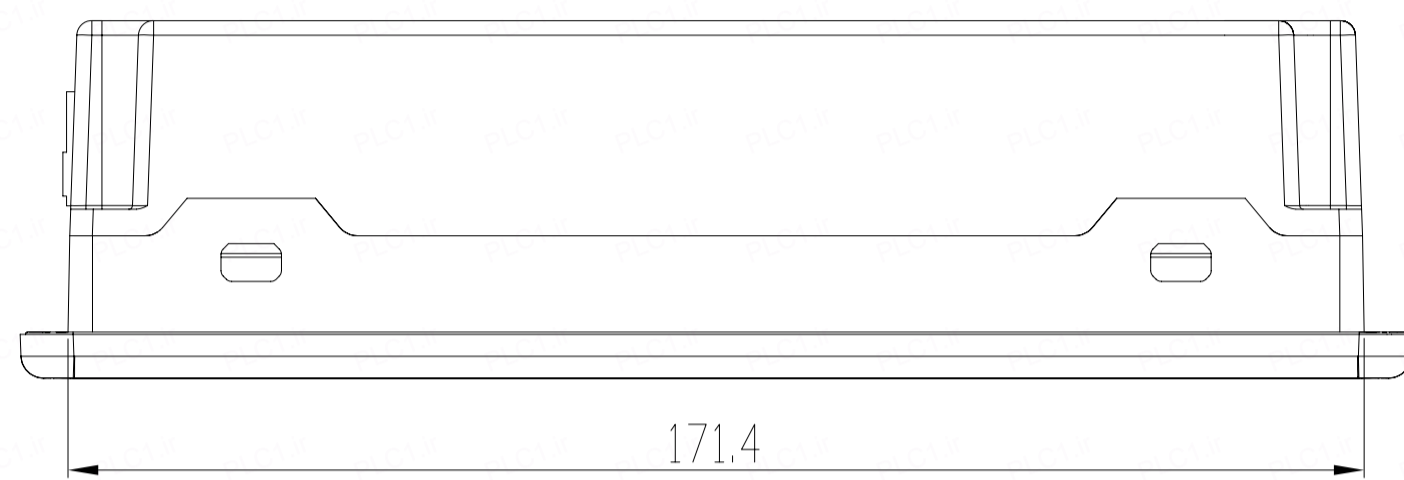


PHYSICAL DIMENSIONS

DOP-AS57B(C)STD



REV.	ECN NO.
00	-----

台達電子工業股份有限公司 DELTA ELECTRONICS, INC.	DRAWN: &drawn_by	DESIGN: &design_by
	DATE: &Date	ECN NO.: &ECN_No
THESE DRAWINGS AND SPECIFICATIONS ARE THE PROPERTY OF DELTA ELECTRONICS, INC. AND SHALL NOT BE REPRODUCED OR USED AS THE BASIS FOR THE MANUFACTURE OR SELL OF APPARATUSES OR DEVICES WITHOUT PERMISSION.	DIMENSIONAL TOLERANCES (V) () () () ANGLES DECIMALS <50 ±0.1 <50 ±0.15 <50 ±0.2 <30° ±0.1° X ±0.3 >50-100 ±0.15 >50-100 ±0.2 >50-100 ±0.25 >30°-60° ±0.3° X.X ±0.2 >100-200 ±0.2 >100-200 ±0.25 >100-200 ±0.3 >60°-90° ±0.5° X.XX ±0.1 >200- ±0.2% >200- ±0.25% >200- ±0.3%	
DRAWING NAME: &dwg_name	A1 SIZE THIRD ANGLE PROJECTION	PART NO.: &part_no
USED ON: &Used_On	UNIT: mm	SCALE: &scale
		SHEET 1 OF 1