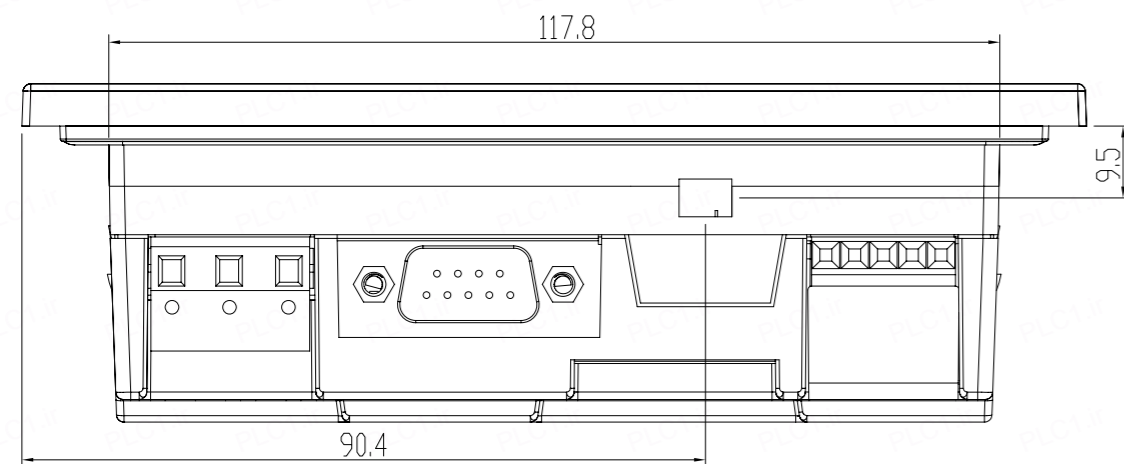
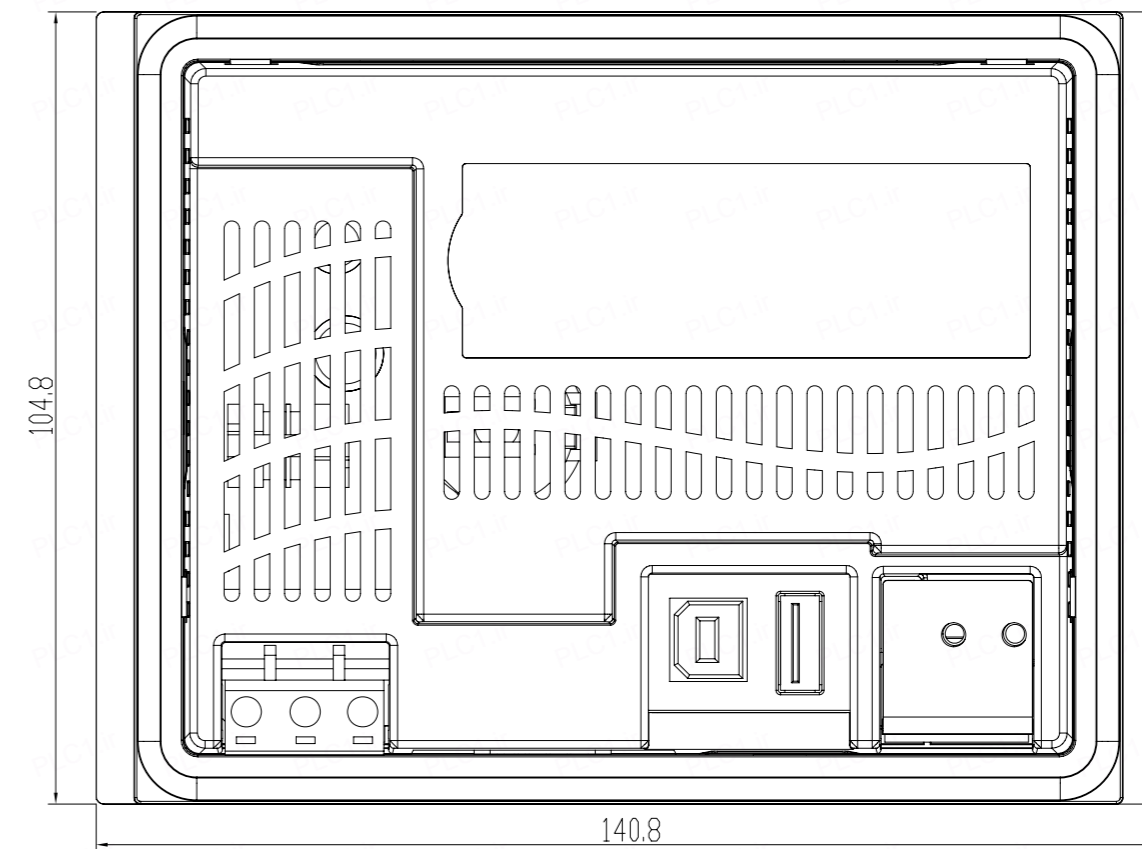
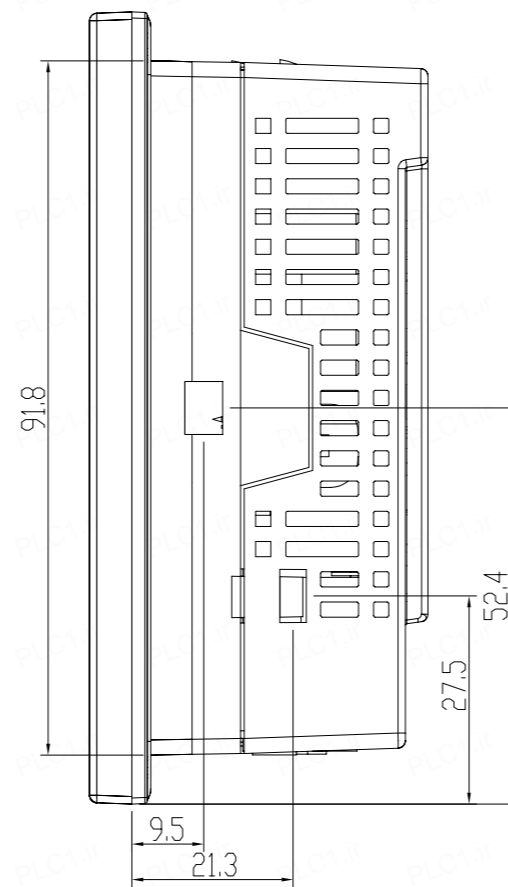
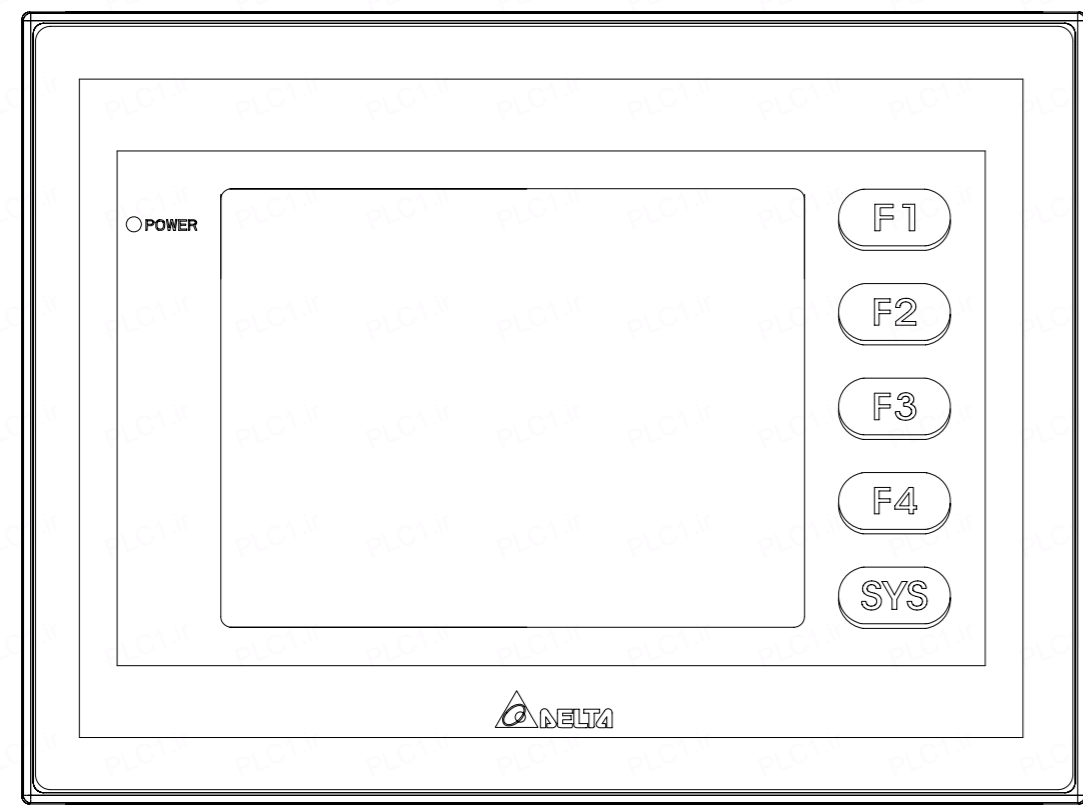
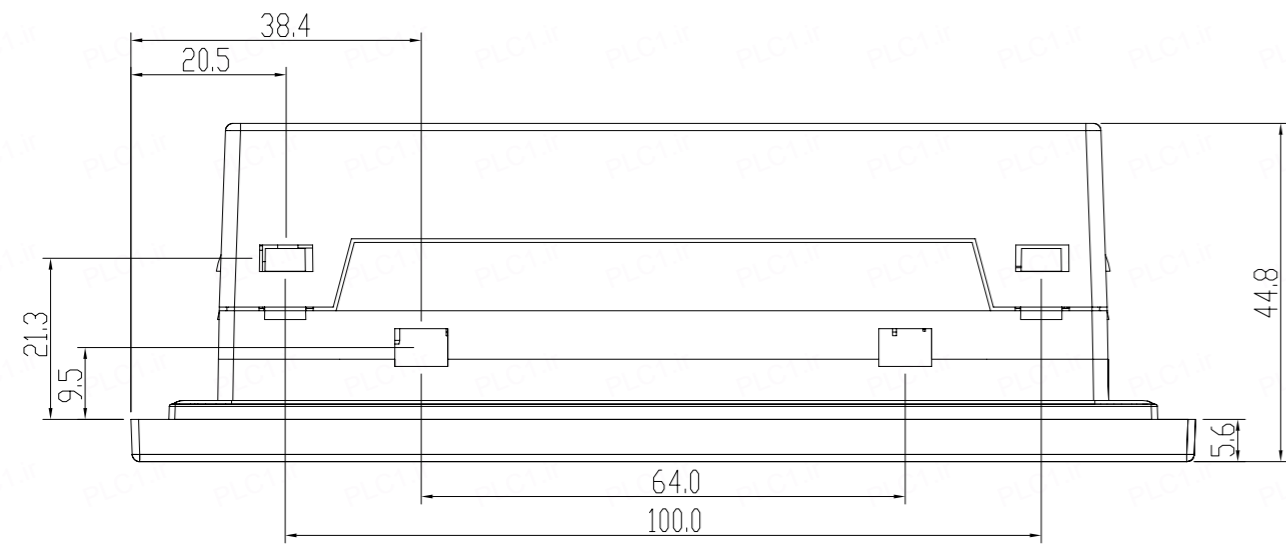


# PHYSICAL DIMENSIONS

DOP-AS38BSTD(-W)



REV. ECN NO.

00 -----

台達電子工業股份有限公司 DELTA ELECTRONICS, INC.	DRAWN: &drawn_by DATE: &Date	DESIGN: &design_by ECN NO.: &ECN_No
	THESE DRAWINGS AND SPECIFICATIONS ARE THE PROPERTY OF DELTA ELECTRONICS, INC. AND SHALL NOT BE REPRODUCED OR USED AS THE BASIS FOR THE MANUFACTURE OR SELL OF APPARATUSES OR DEVICES WITHOUT PERMISSION.	
DIMENSIONAL TOLERANCES (V) ( ) ( ) ( ) ANGLES DECIMALS <50 ±0.1 <50 ±0.15 <50 ±0.2 <30° ±0.1° X ±0.3 >50-100 ±0.15 >50-100 ±0.2 >50-100 ±0.25 >30°-60° ±0.3° X.X ±0.2 >100-200 ±0.2 >100-200 ±0.25 >100-200 ±0.3 >60°-90° ±0.5° X.XX ±0.1 >200- ±0.2% >200- ±0.25% >200- ±0.3%		PART NO.: &part_no
DRAWING NAME: &dwg_name	A2 SIZE THIRD ANGLE PROJECTION	REV. &rev
USED ON &Used_On	UNIT mm	SCALE &scale SHEET 1 OF 1