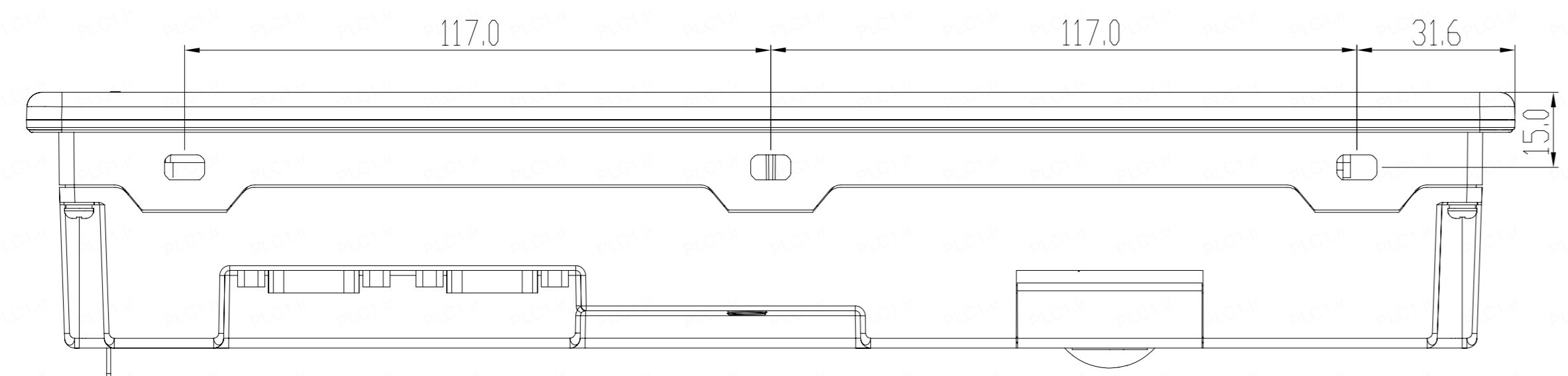
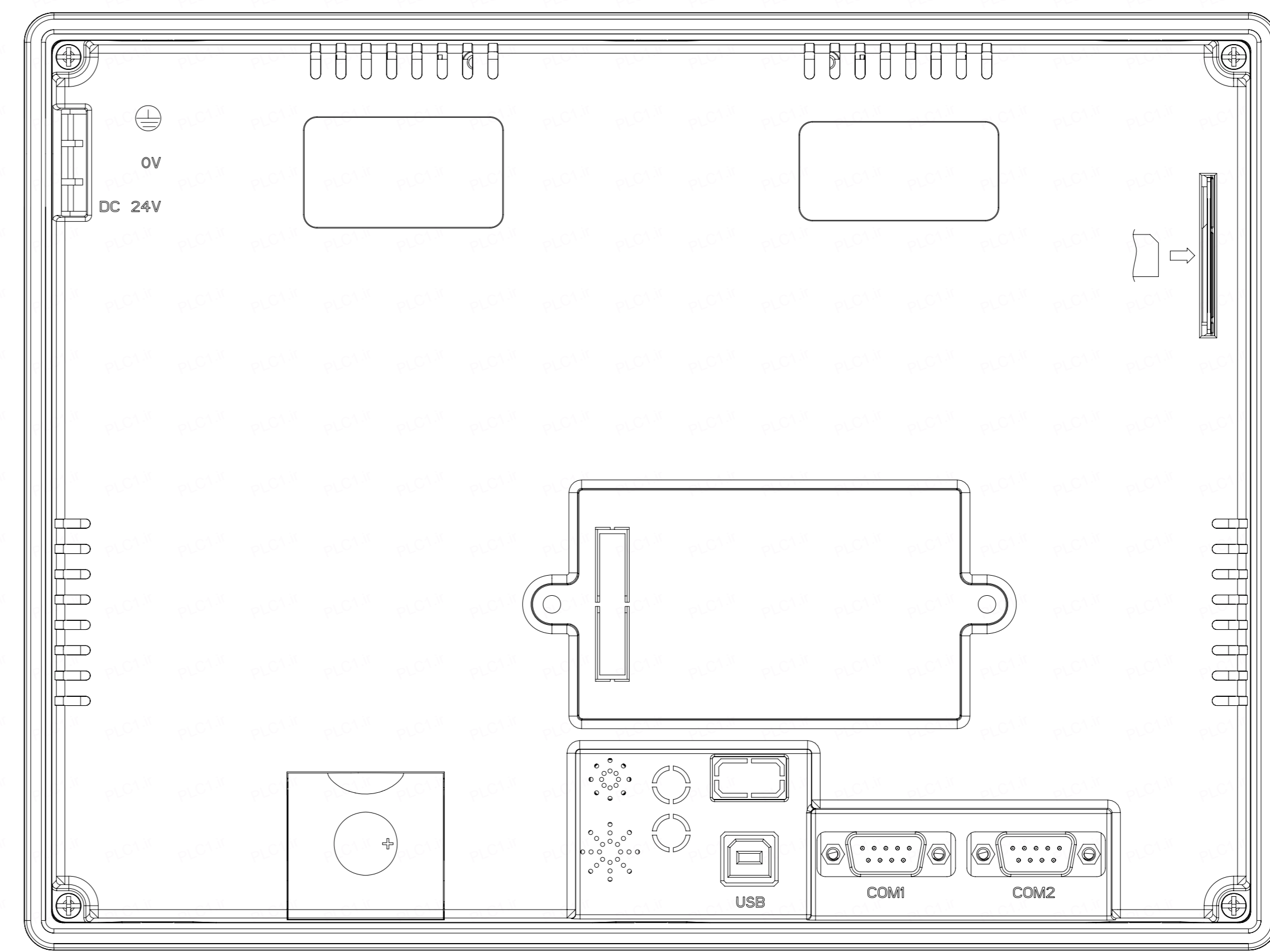
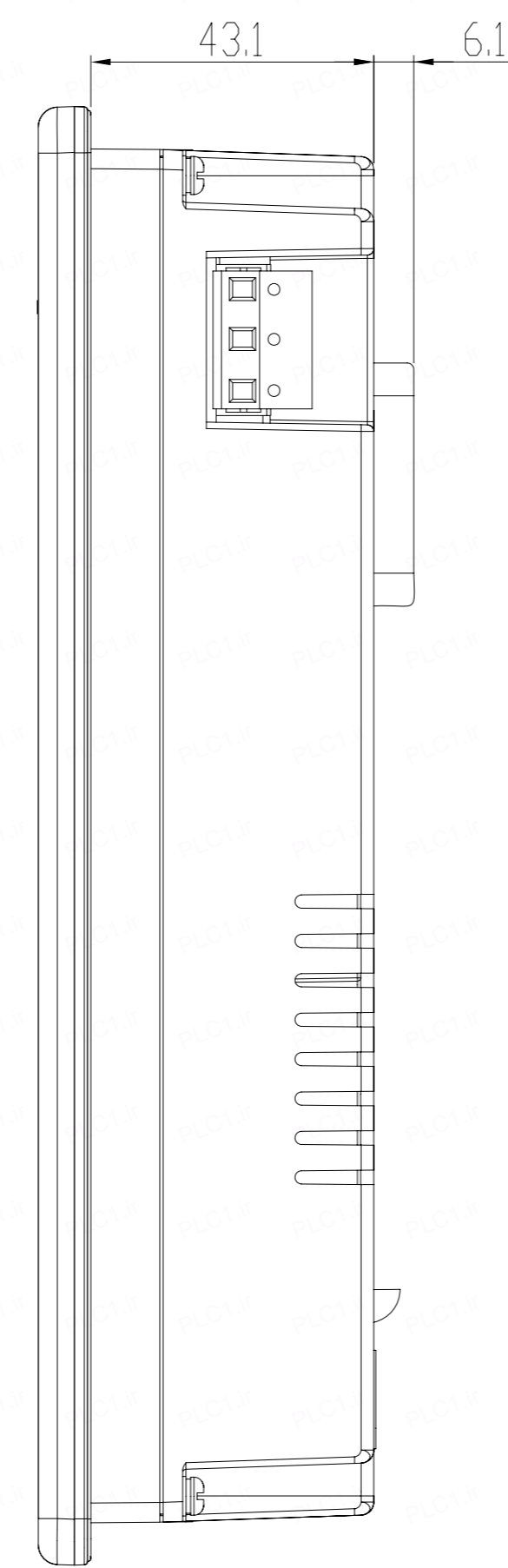
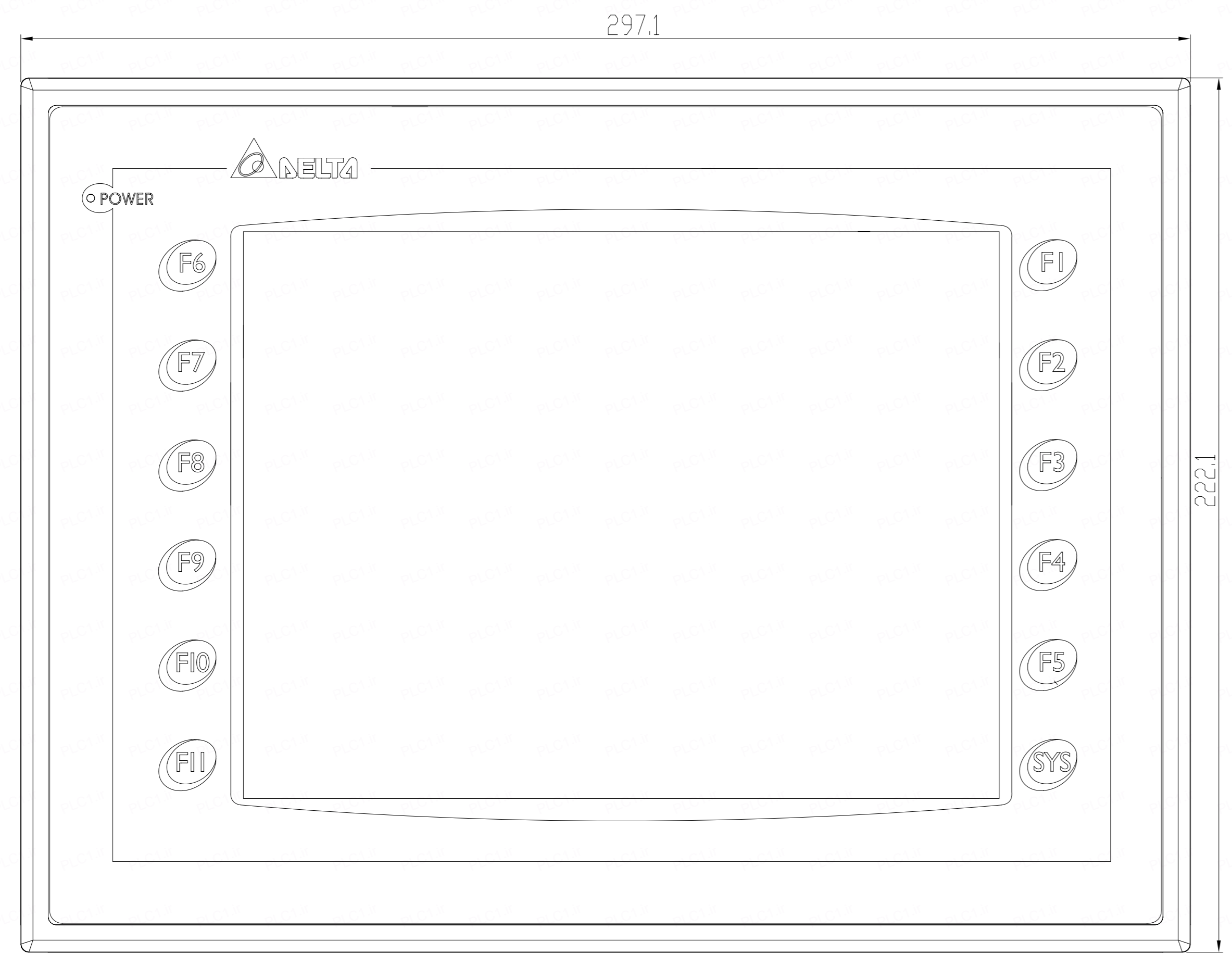
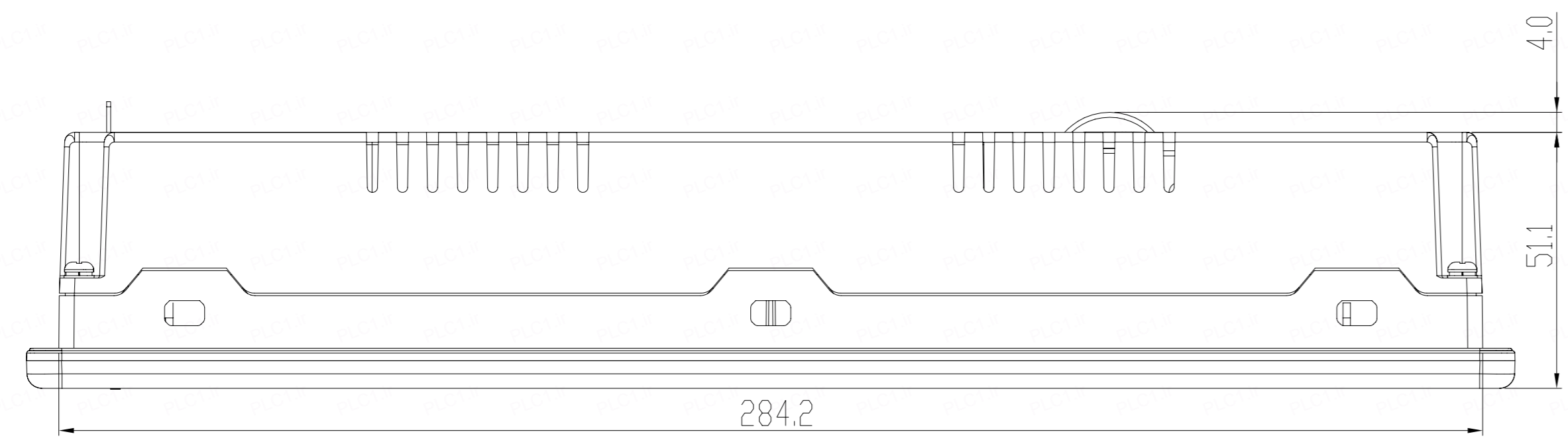


PHYSICAL DIMENSIONS

DOP-AE94BSTD



REV.	ECN NO.
00	-----

台達電子工業股份有限公司 DELTA ELECTRONICS, INC.		DRAWN: &drawn_by	DESIGN: &design_by
THESE DRAWINGS AND SPECIFICATIONS ARE THE PROPERTY OF DELTA ELECTRONICS, INC. AND SHALL NOT BE REPRODUCED OR USED AS THE BASIS FOR THE MANUFACTURE OR SELL OF APPARATUS OR DEVICES WITHOUT PERMISSION.		DATE: &Date	ECN NO.: &ECN_No
DIMENSIONAL TOLERANCES (V) () () () ANGLES DECIMALS <50 ±0.1 <50 ±0.15 <50 ±0.2 <30° ±0.1° X ±0.3 >50-100 ±0.15 >100-200 ±0.2 >100-200 ±0.25 >30°-60° ±0.3° X.X ±0.2 >100-200 ±0.2 >100-200 ±0.25 >100-200 ±0.3 >60°-90° ±0.5° X.XX ±0.1 >200 ±0.25 >200 ±0.25 >200 ±0.3		PART NO.: &part_no	
DRAWING NAME: &dwg_name		SIZE: AO	THIRD ANGLE PROJECTION
USED ON: &Used_On		UNIT: mm	SCALE: &scale
		SHEET 1 OF 1	