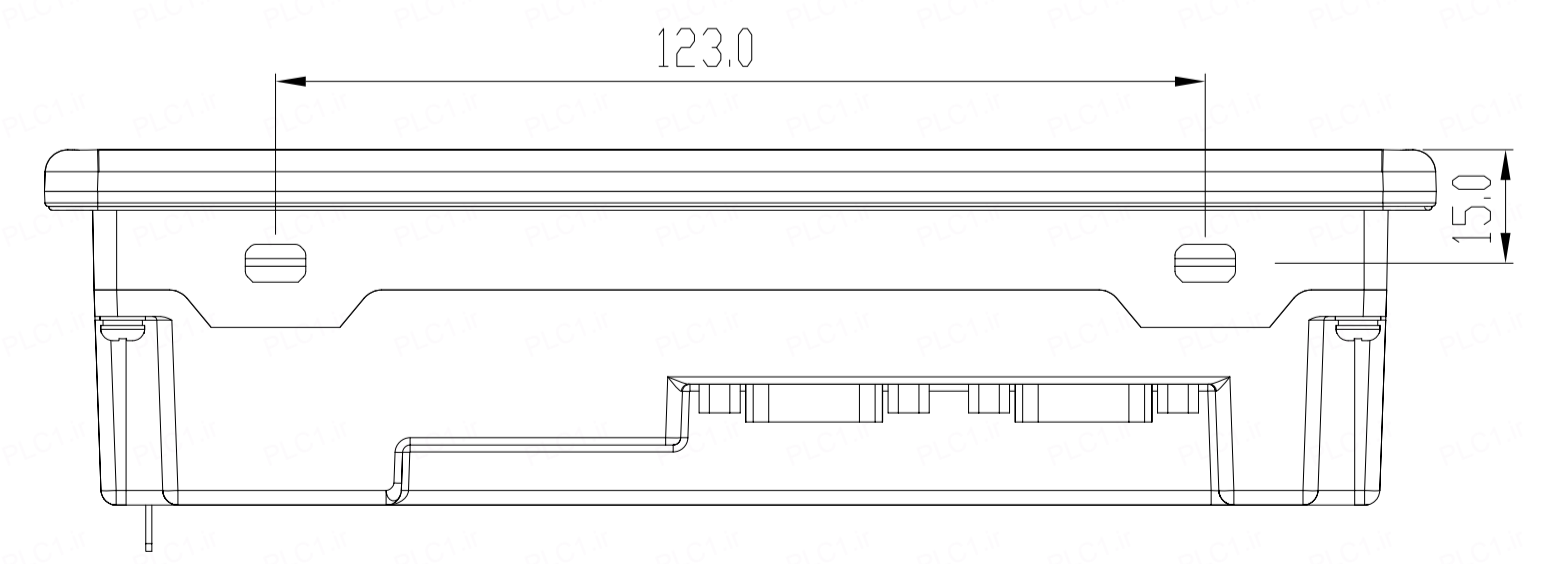
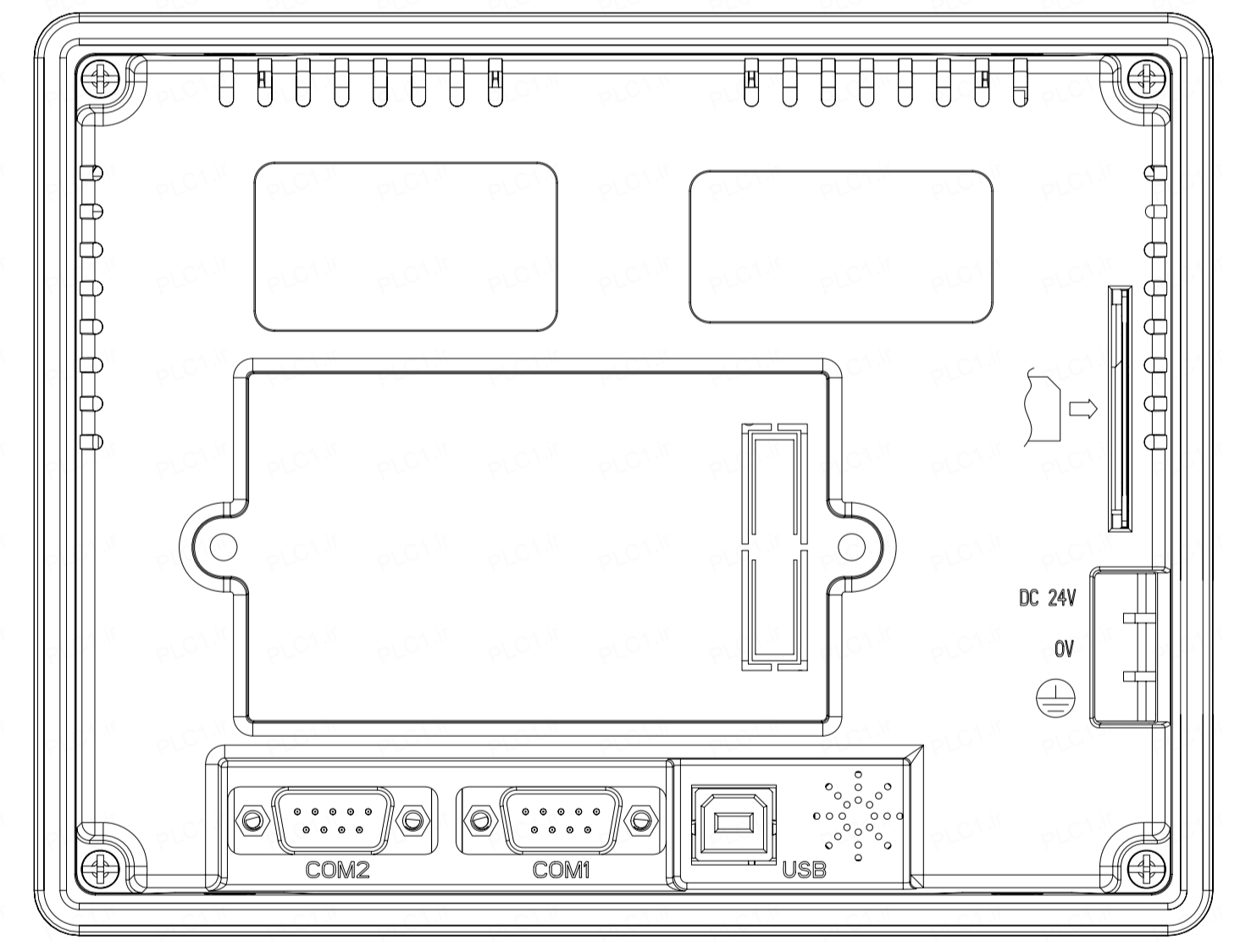
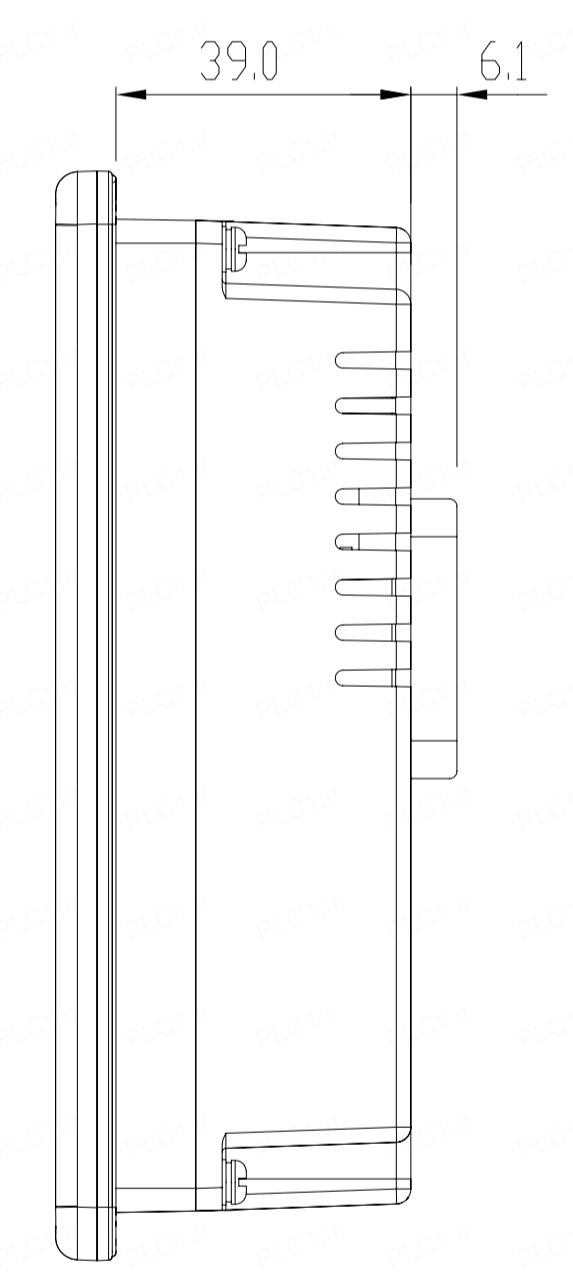
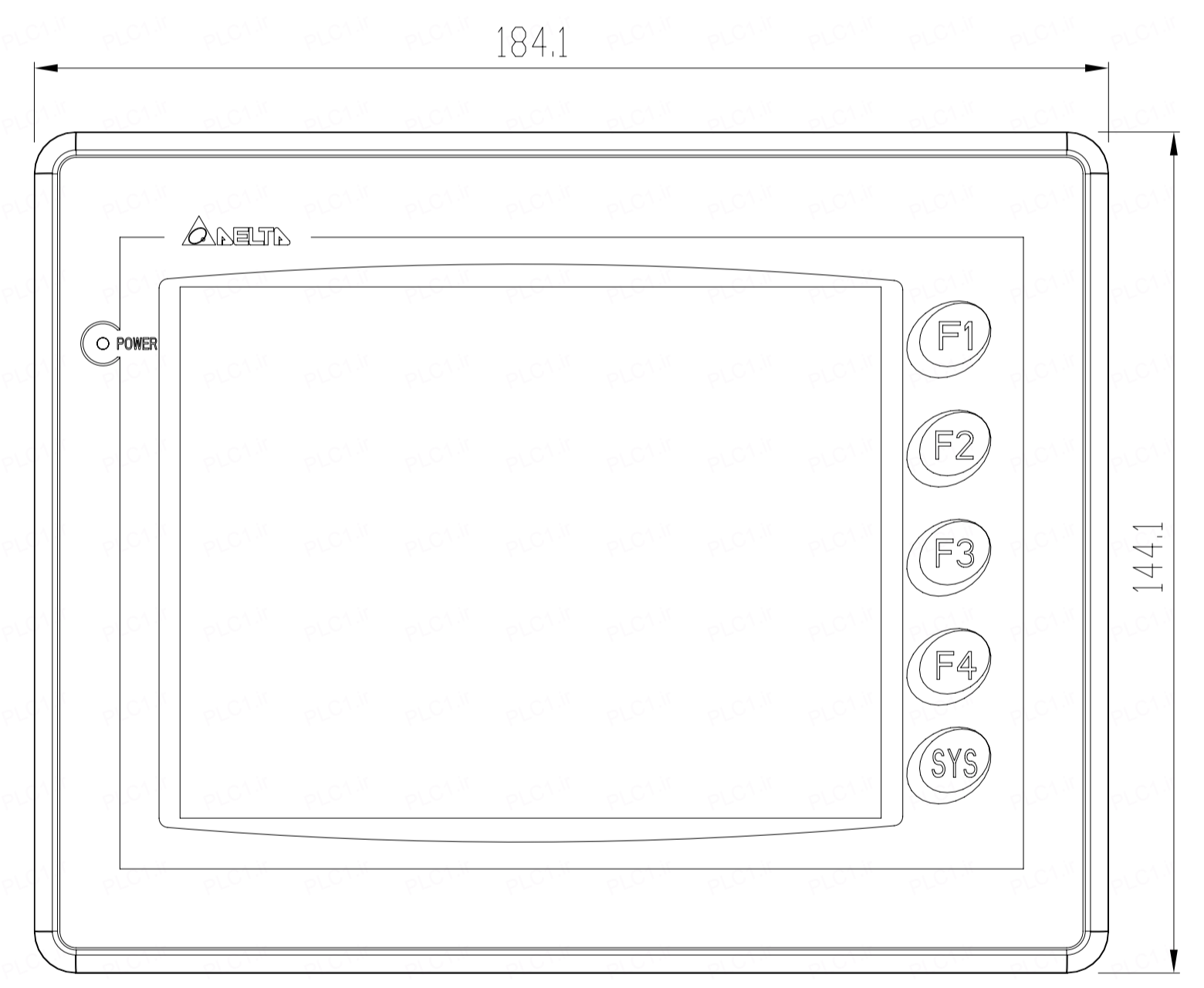
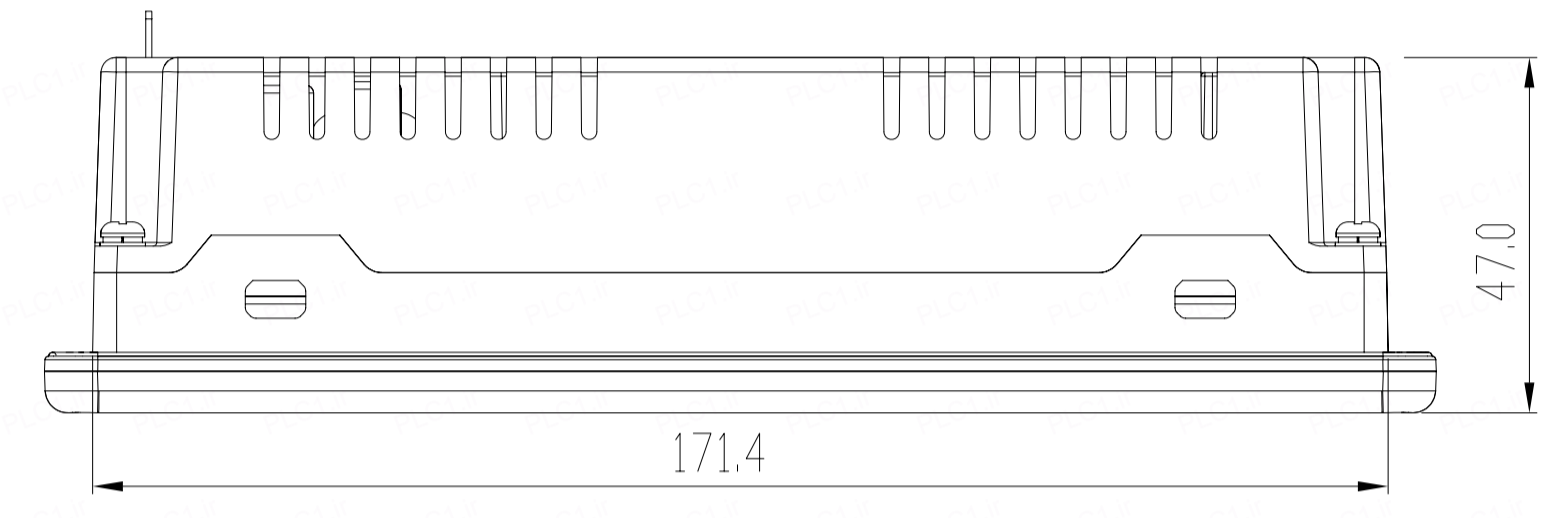


1 2 3 4 5 6 7 8 9 10 11

REV. 00 ECN NO. -----


PHYSICAL DIMENSIONS

DOP-A(E)57G(C/B)STD(-W)
DOP-A(E)57G(C/B)STD1



A
B
C
D
E
F
G
H
I
J

A
B
C
D
E
F
G
H
I
J

 台達電子工業股份有限公司 DELTA ELECTRONICS, INC.		DRAWN: &drawn_by DATE: &Date	DESIGN: &design_by ECN NO.: &ECN_No
THESE DRAWINGS AND SPECIFICATIONS ARE THE PROPERTY OF DELTA ELECTRONICS, INC. AND SHALL NOT BE REPRODUCED OR USED AS THE BASIS FOR THE MANUFACTURE OR SELL OF APPARATUS OR DEVICES WITHOUT PERMISSION.		DIMENSIONAL TOLERANCES (V) () () () ANGLES DECIMALS <50 ±0.1 <50 ±0.15 <50 ±0.2 <30° ±0.1° X ±0.3 >50-100 ±0.15 >50-100 ±0.2 >50-100 ±0.25 >30°-60° ±0.3° XX ±0.2 >100-200 ±0.2 >100-200 ±0.25 >100-200 ±0.3 >60°-90° ±0.5° XXX ±0.1 >200- ±0.2% >200- ±0.25% >200- ±0.3%	
DRAWING NAME: &dwg_name		A1 SIZE THIRD ANGLE PROJECTION	PART NO.: &part_no REV. &rev
USED ON &Used_On	UNIT mm	SCALE &scale	SHEET 1 OF 1

1 2 3 4 5 6 7 8 9 10 11 DF-MEA1H-2R01