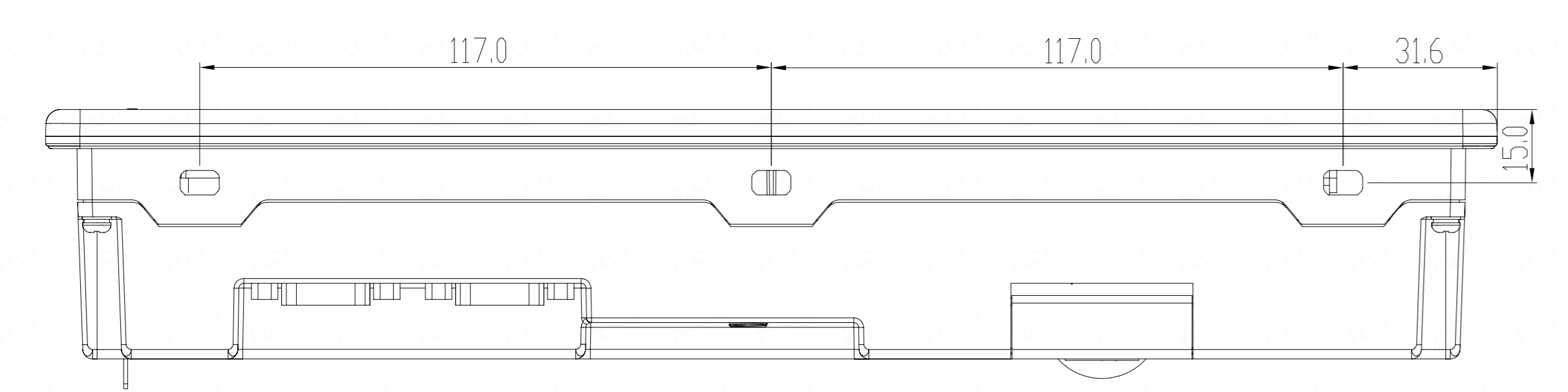
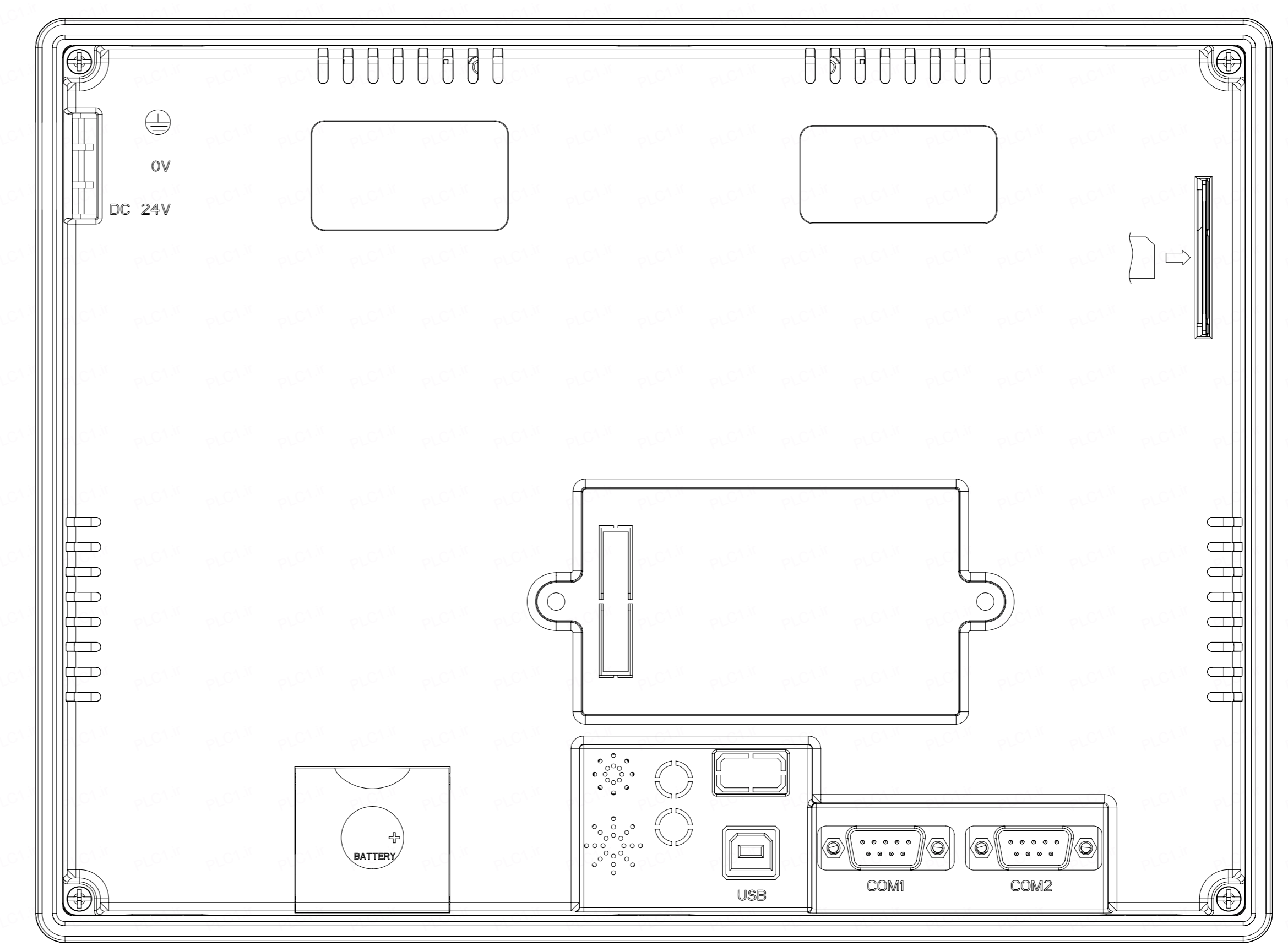
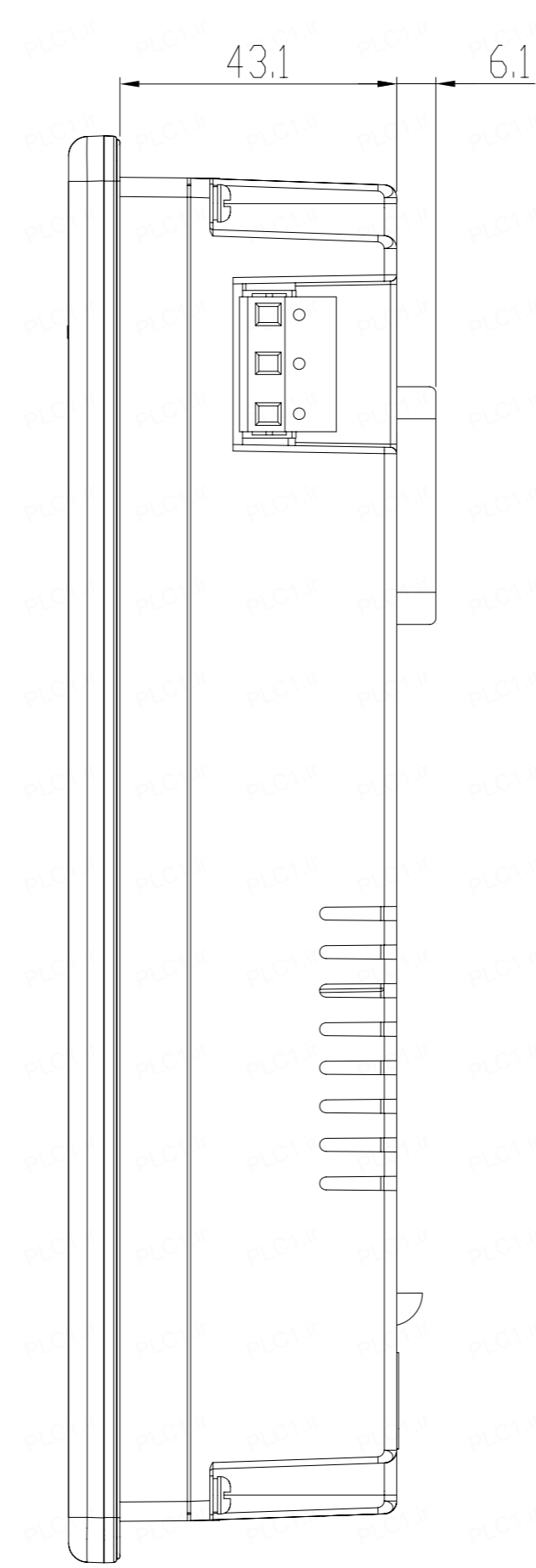
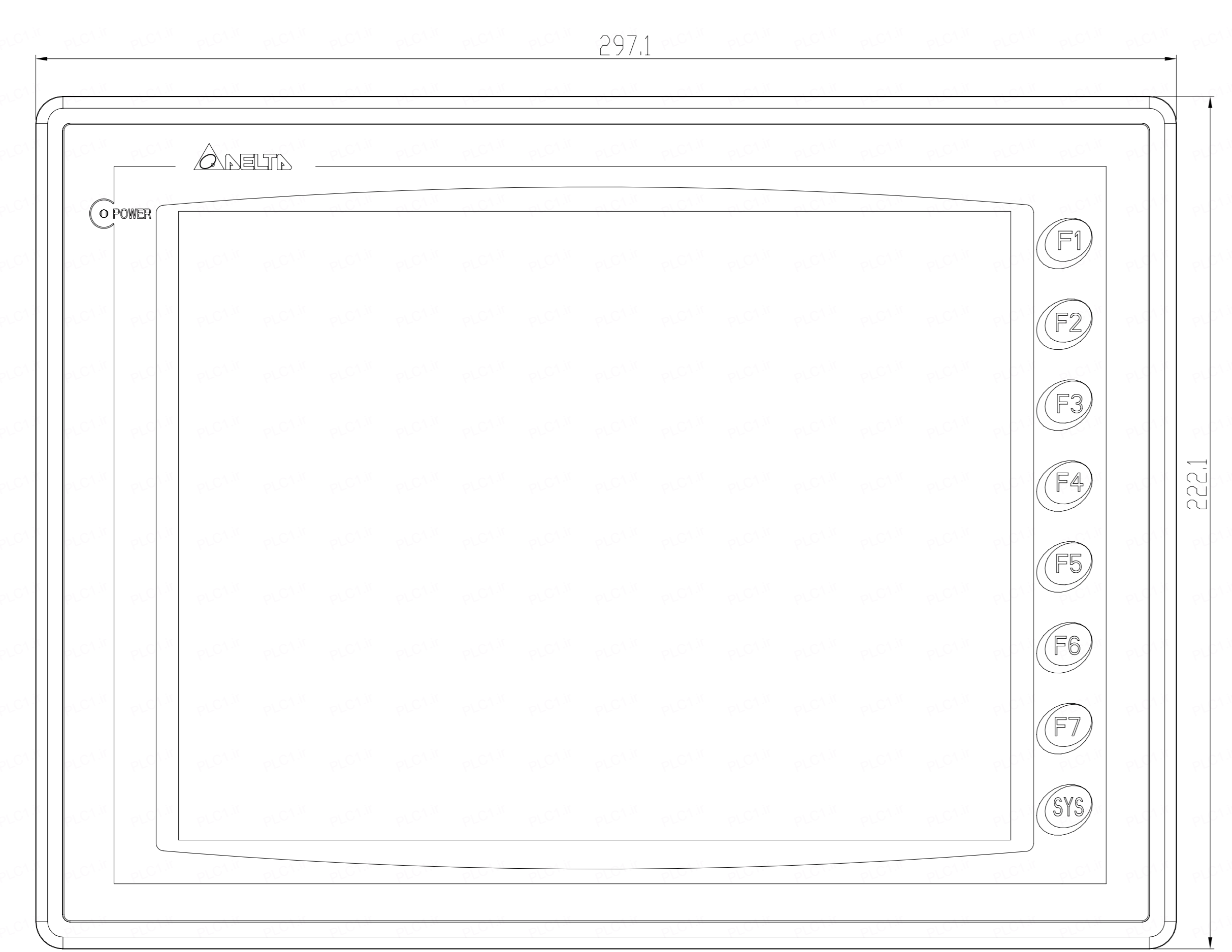
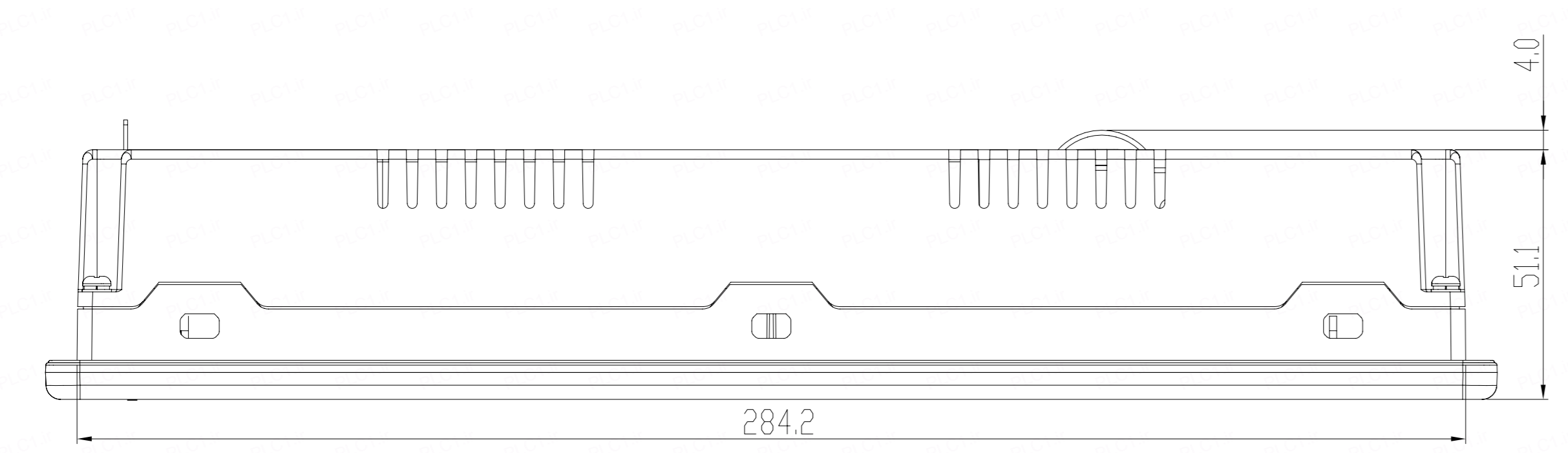


1 2 3 4 5 6 7 8 9 10 11 12 13 14

REV. 00 ECN NO. -----

PHYSICAL DIMENSIONS

DOP-A(E)10TC/THTD
DOP-A(E)10THTD1
DOP-A(E)10THTD0



台達電子工業股份有限公司 DELTA ELECTRONICS, INC.		DRAWN: &drawn_by DATE: &Date	DESIGN: &design_by ECN NO.: &ECN_No
THESE DRAWINGS AND SPECIFICATIONS ARE THE PROPERTY OF DELTA ELECTRONICS, INC. AND SHALL NOT BE REPRODUCED OR USED AS THE BASIS FOR THE MANUFACTURE OR SELL OF APPARATUSES OR DEVICES WITHOUT PERMISSION.		DIMENSIONAL TOLERANCES (V) () () () ANGLES DECIMALS <50 ±0.1 <50 ±0.15 <50 ±0.2 <30° ±0.1° X ±0.3 >50-100 ±0.15 >100-150 ±0.2 >150-200 ±0.25 >30°-60° ±0.3° X.X ±0.2 >100-200 ±0.2 >100-200 ±0.25 >100-200 ±0.3 >60°-90° ±0.5° X.XX ±0.1 >200 ±0.2 >200 ±0.25 >200 ±0.3	
DRAWING NAME: &dwg_name USED ON: &Used_On		PART NO.: &part_no SCALE: &scale	REV. &rev SHEET 1 OF 1

1 2 3 4 5 6 7 8 9 10 11 12 13 14 DF-MEADH-2R01